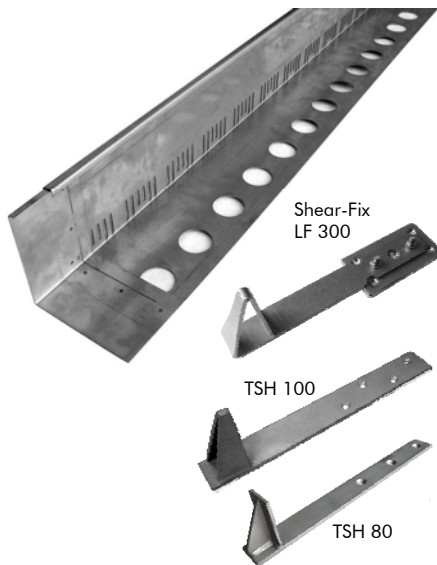


Product Data Sheet

Eaves Profile TRP 140

Order No. 7782



Technical Data

Eaves Profile TRP 140

Heavy-duty angle profile made of stainless steel for the edge of walkways, as shear barriers in pitched green roofs (in combination with support brackets). Also to be used as edging in case of missing upstands. Slots in vertical leg for drainage, perforation in support leg for fixing purposes.

Material:	stainless steel
Material thickness:	ca. 1.5 mm
Length:	ca. 3.0 m
Profile height:	ca. 140 mm
Width of support leg:	ca. 155 mm

Attached butt joint

Accessories:

- Prefabricated corners
- Support Bracket of stainless steel TSH 80 and TSH 100 or Shear-Fix LF 300

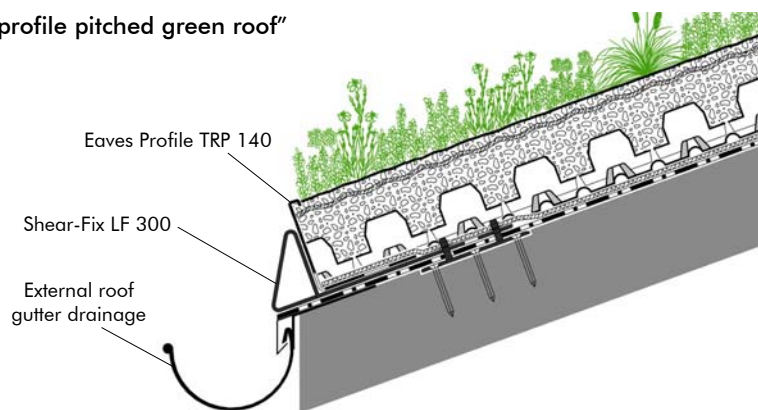
Heavy-duty angle profile made of stainless steel with drainage slots; used at eaves edge on pitched green roofs in combination with support brackets.

Features

- for finishing eaves on pitched green roofs with support brackets TSH 80 or TSH 100 as well as in connection with Shear-Fix LF 300 which is also applicable on the roof area
- edging and enclosure on walkways
- secure eaves edge for external drainage gutter
- as shear barrier on pitched roofs
- incl. welded butt joints for straight lined edges
- neutral and especially corrosion resistant

Application Example

"Eaves profile pitched green roof"



Specification Suggestion

Heavy-duty angle profile made of stainless steel; Material thickness ca. 1.5 mm, with drainage slots for water run-off and perforation in the support leg, delivery and installation in combination with Support Brackets at the roofs edge or fixed to the waterproofing

on roof edges without upstands according to manufacturer's instructions, incl. butt joints and prefabricated corners.

Make: ZinCo Eaves Profile TRP 140
Enquiries: ZinCo GmbH,
Phone: +49 7022 6003-0