

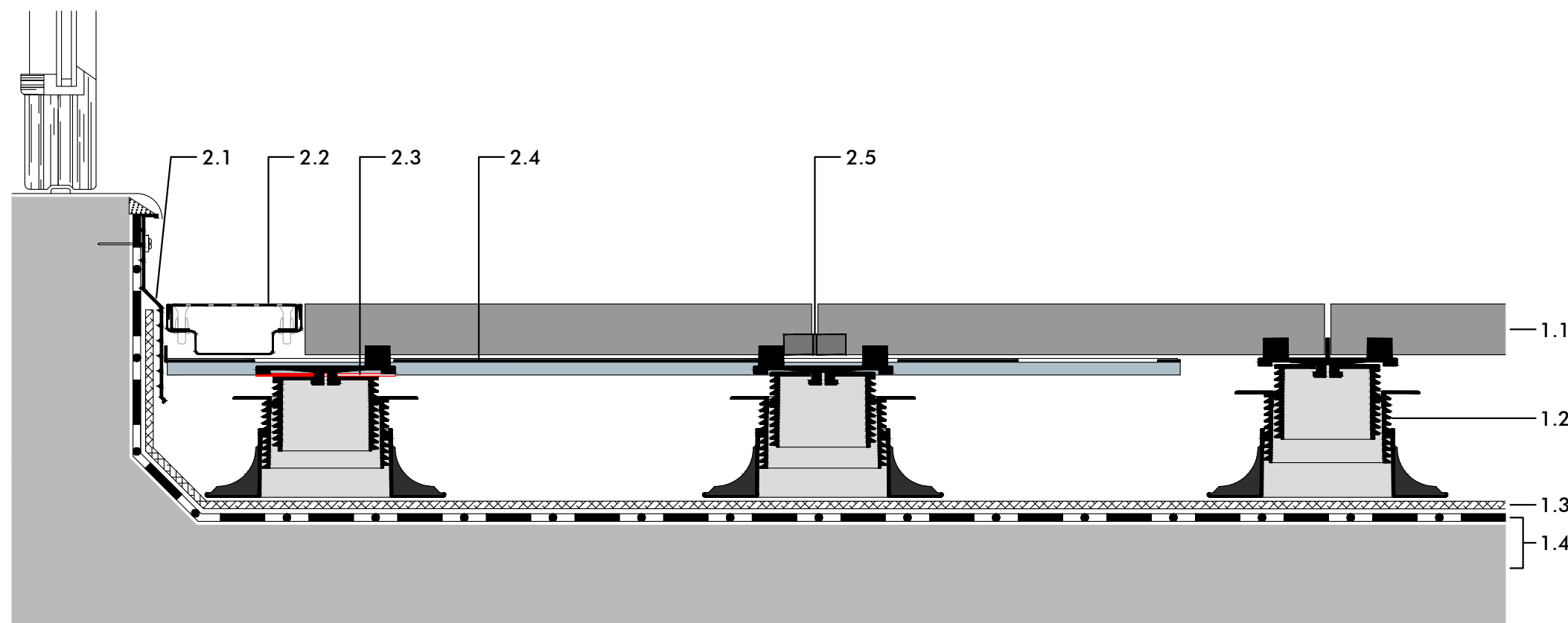
"Walkway" with Elefeet®

Detail:
Door Exit with Paving

System build-up

- 1.1 Concrete or natural stone slabs, $d \geq 40 \text{ mm}$ *)
- 1.2 Elefeet® Pedestal, height adjustable
(The integrated joint spacer partly need to be removed and if necessary, be replaced by additional joint spacers.)
- 1.3 Elastosafe ES 30
(additional separating layer, e.g. TGF 20 or TGV 21 in case of material incompatibility, where applicable)
- 1.4 Suitable roof construction with root resistant waterproofing (with pressure resistant insulation, if required)

*) Other slab heights are possible if approved by the manufacturer.
Maximum Elefeet® spacing (axial dimension):
600 x 600 mm



- 2.1 Clamping and Protection Profile AP 150
- 2.2 Balcony and Terrace Channel BTR
- 2.3 Locking Disc
- 2.4 Cantilever Arm Support
- 2.5 Joint Spacer

Note:

The detailed solution shown here refers mainly to the ZinCo System Build-up. The roof construction itself as well as any other constructions are shown schematically and must be planned according to the relevant standards and guidelines.

Project:

-

Version:

14.01.2019 JGI/ EVo

Tuer01_G+F_Elef_Fd.dwg

Reviewed:

-

Scale:

none

Size:

A 3

Authorized by ZinCo GmbH, Lise-Meitner-Str. 2,
72622 Nuertingen/ Germany; Tel: ++49/7022-6003-0
info@zinco-greenroof.com; www.zinco-greenroof.com

Subject to technical alterations and printing errors.

