

# "Walkway" with Floradrain® FD 40-E

**Detail:**  
Roof Outlet with Terrace Grill

## System build-up

- 1.1 Concrete or natural stone slabs,  $d \geq 40$  mm
- 1.2 Bedding layer made of stone chippings, poor in lime, 30 - 50 mm
- 1.3 Floradrain® FD 40-E, filled with stone chippings, poor in lime, (diffusion openings facing downwards)
- 1.4 Protection Mat SSM 45
- 1.5 Roof construction with root resistant waterproofing

## Note:

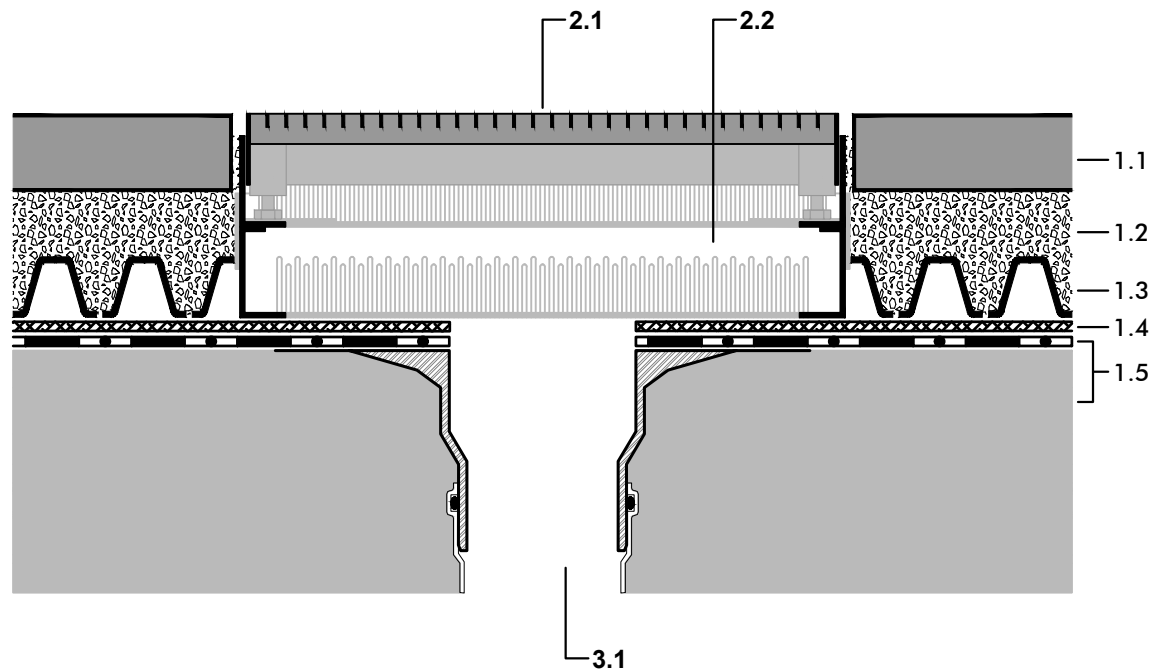
The detailed solution shown here refers mainly to the ZinCo System Build-up. The roof construction itself as well as any other constructions are shown schematically and must be planned according to the relevant standards and guidelines.

## Project:

-

**Version:** 27.11.2018 **Reviewed:** EVo / JGI - **Scale:** none **Size:** A 4

Entw01\_G+F\_Geh\_FD40\_Fd.dwg



- 2.1 Terrace Grill TR-H 40 x 40 - 65  
 2.2 Extension Piece for TR-H 40 x 40 - 65  
 3.1 Roof outlet

Authorized by ZinCo GmbH, Lise-Meitner-Str. 2,  
 72622 Nuertingen/ Germany; Tel: ++49/7022-6003-0  
 info@zinco-greenroof.com; www.zinco-greenroof.com

Subject to technical alterations and printing errors.

