

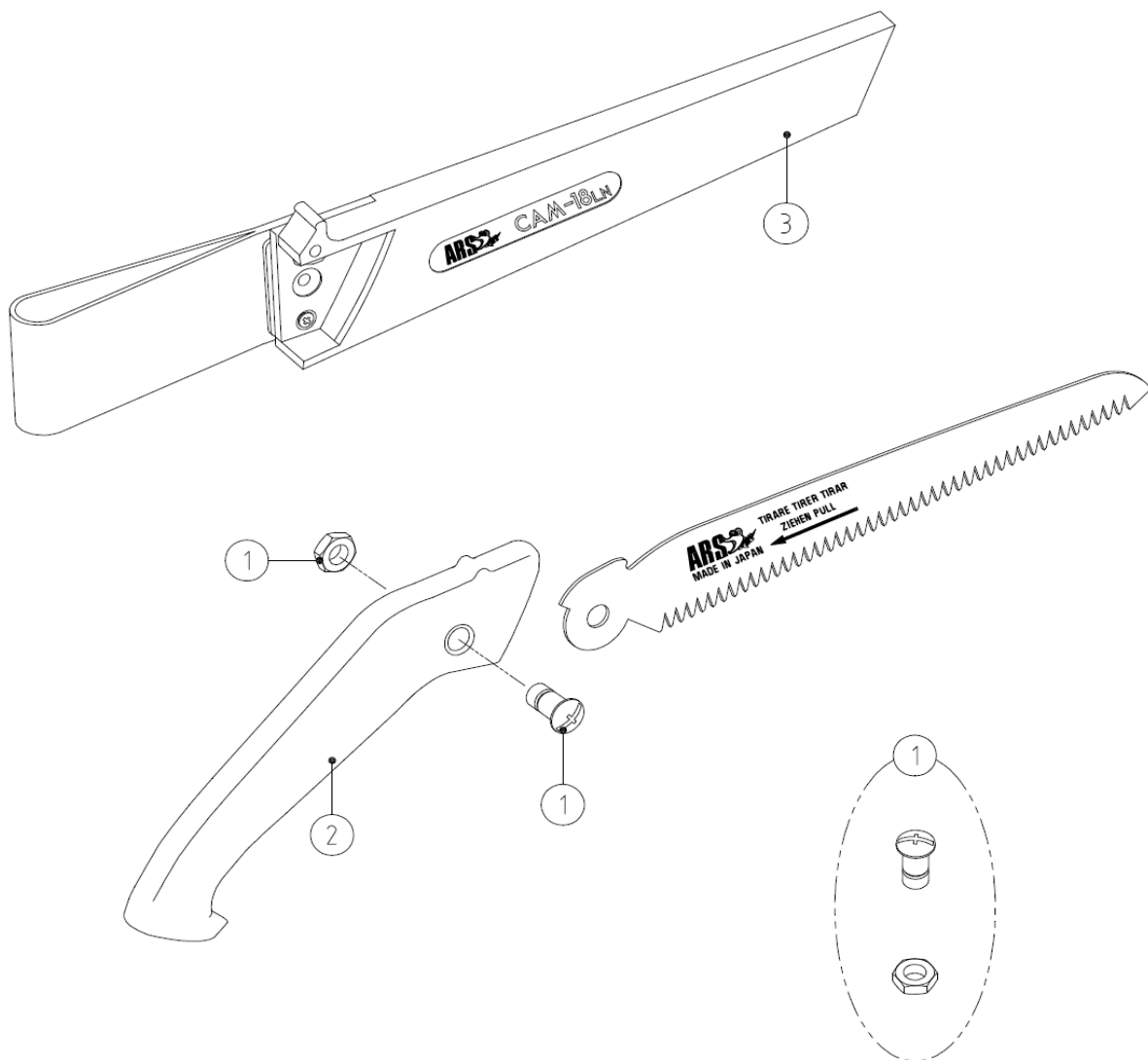
SPARE PARTS DRAWING

2020

1. PRUNING SAW
2. FOLDING SAW
3. POLE SAW
4. PRUNING SHEARS
5. FRUITS PRUNERS
6. LONG REACH PRUNERS
7. HEDGE SHEARS
8. LOPPING SHEARS
9. OTHER SHEARS

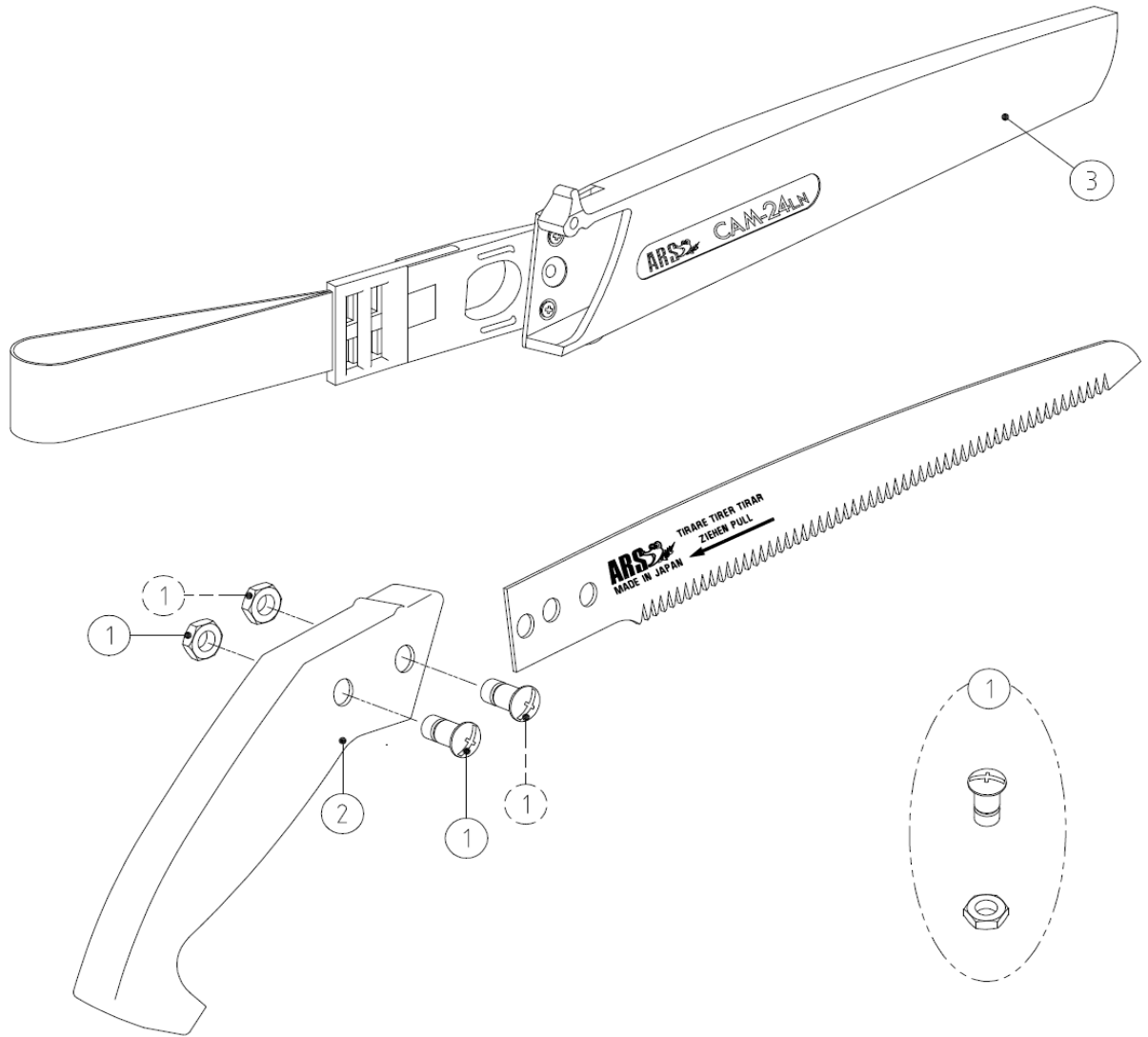


CAM-18LN



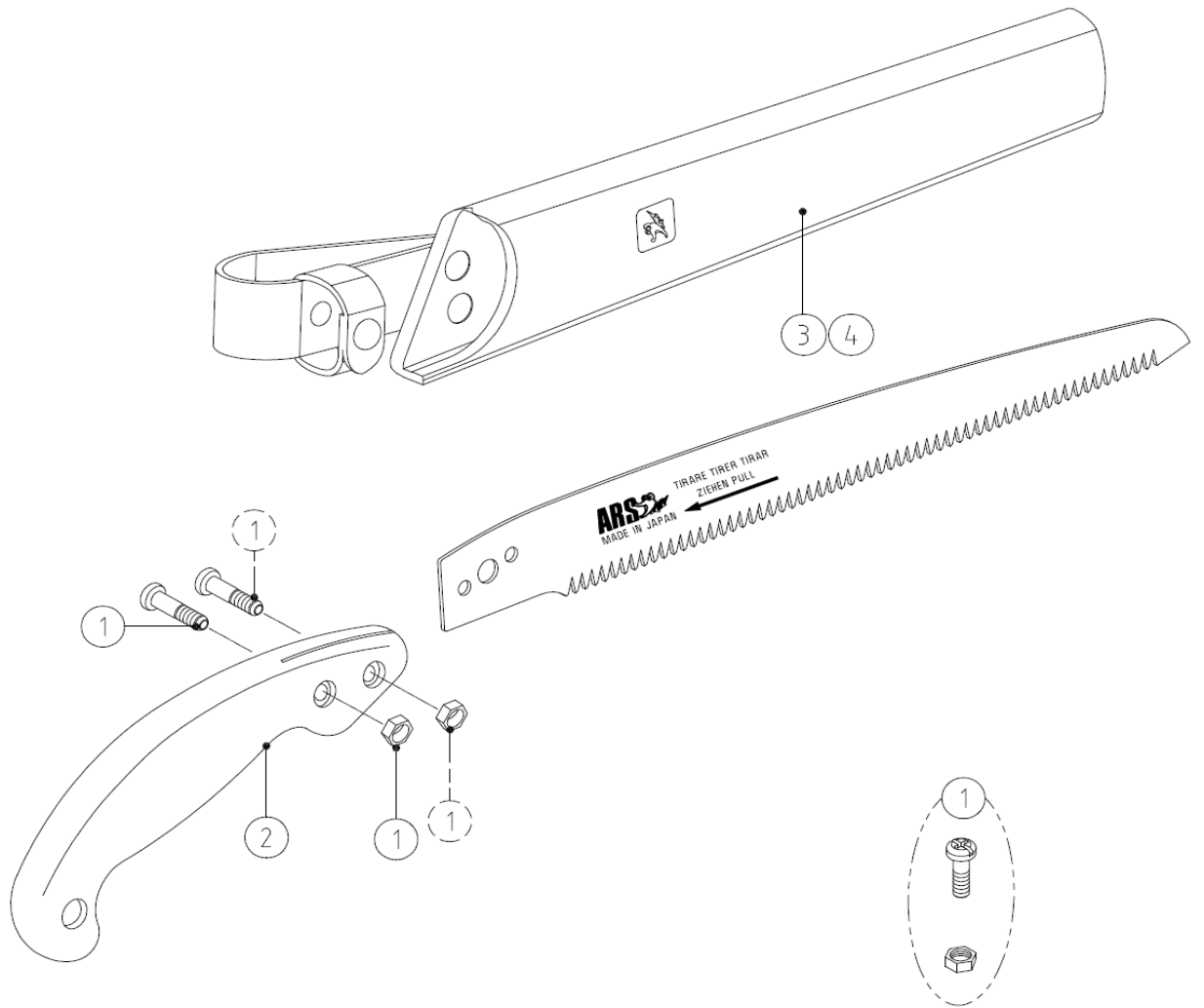
PARTS NO.	SPECIFICATION	PARTS NO.	SPECIFICATION
① SP-5	BOLT & NUT FOR CAM-18/18L/18LN/24L/ 24KL/24LN (1PC EACH)		
② SP-158	GRIP FOR CAM-18LN (GRIP COLOR ; RED)		
③ SP-295	SHEATH FOR CAM-18LN		

CAM-24LN



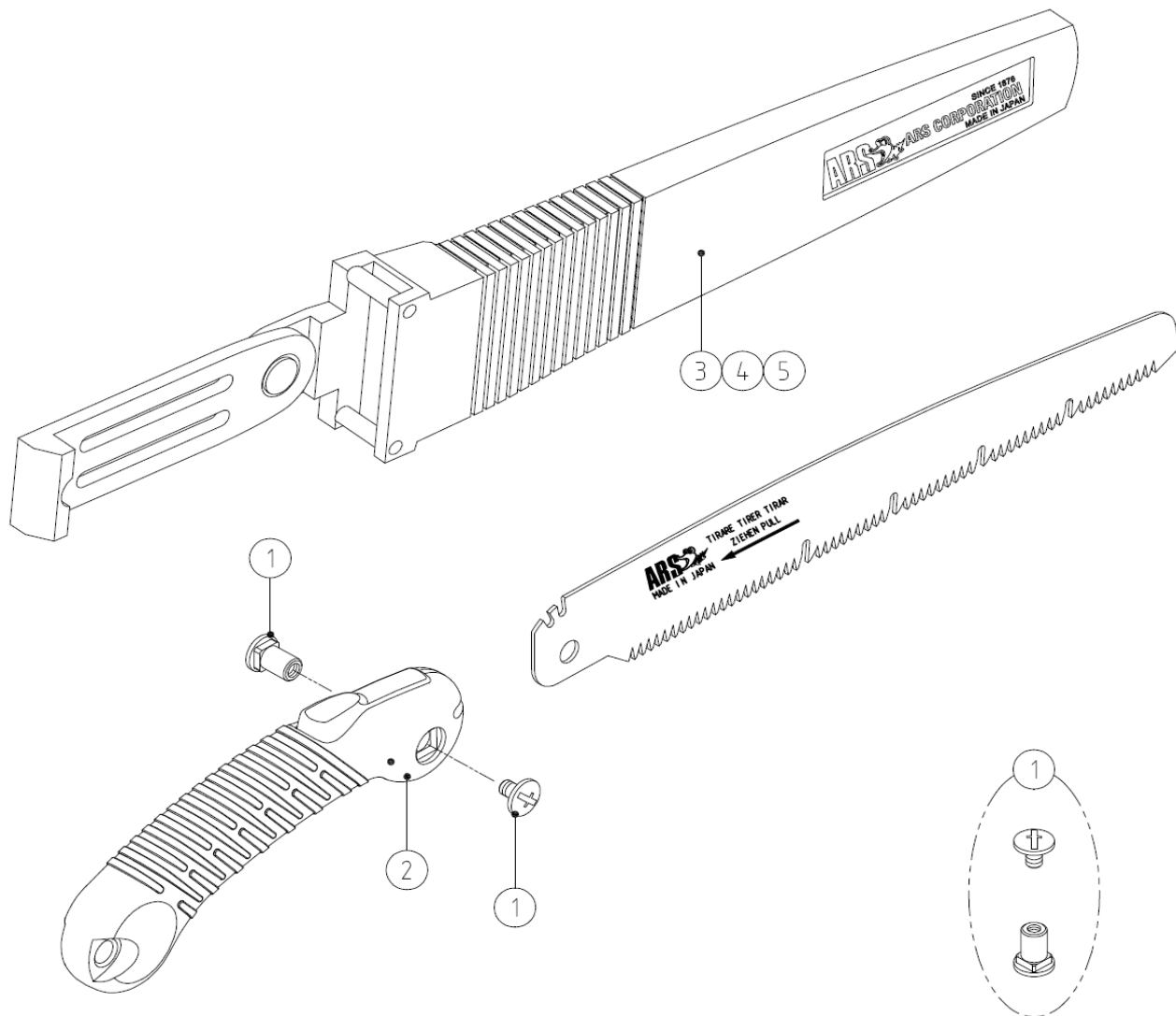
PARTS NO.	SPECIFICATION	PARTS NO.	SPECIFICATION
① SP-5	BOLT & NUT FOR CAM-18/18L/18LN/24L/ 24KL/24LN (1PC EACH)		
② SP-272	GRIP FOR CAM-24LN (GRIP COLOR : RED)		
③ SP-293	SHEATH FOR CAM-24LN		

PS-25KL / PS-30KL



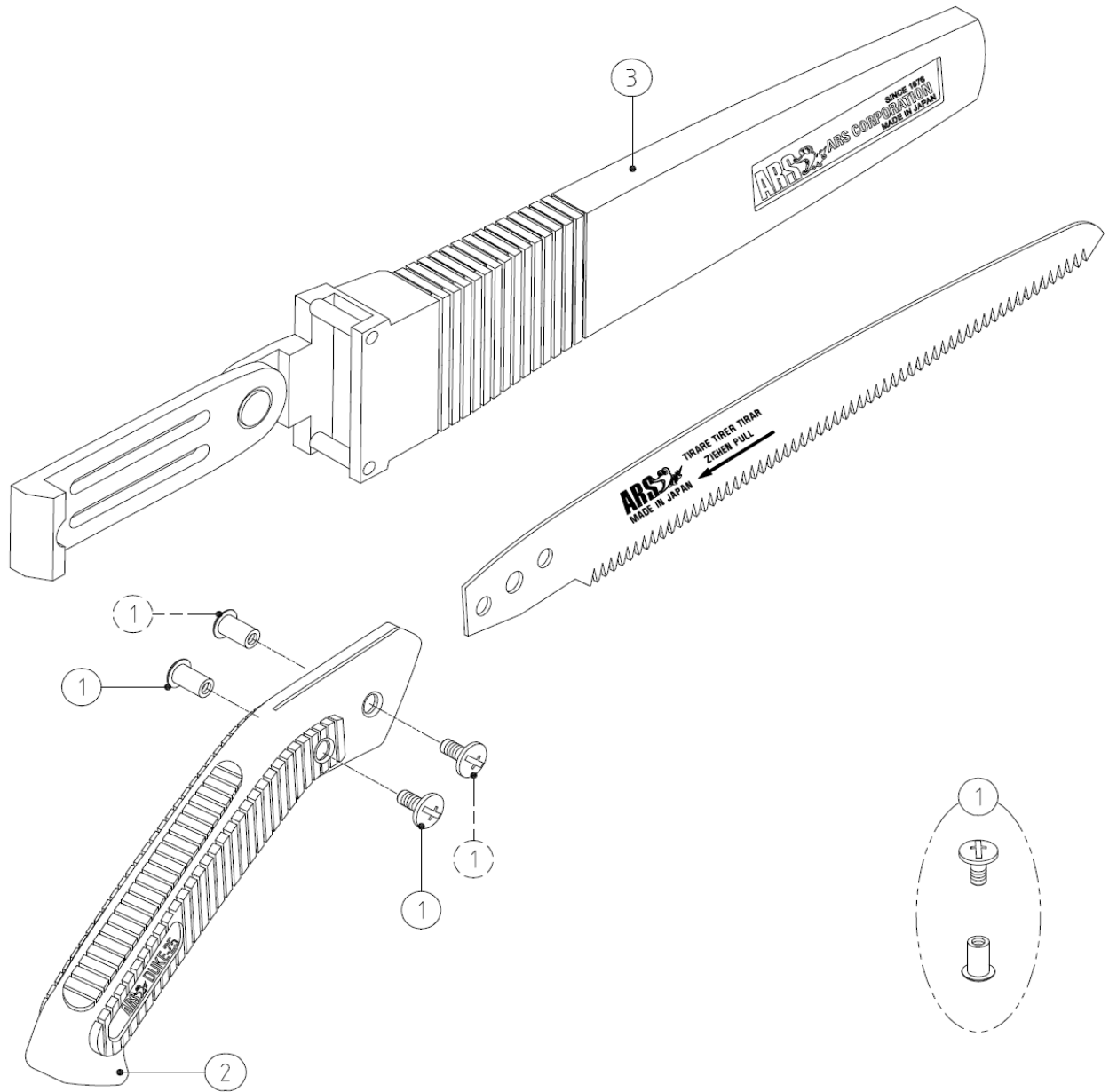
PARTS NO.	SPECIFICATION	PARTS NO.	SPECIFICATION
① SP-6	BOLT & NUT FOR PS-25KL/30KL (1PC EACH)		
② SP-160	WOODEN GRIP FOR PS-25KL/30KL		
③ SH-25 EX	WOODEN SHEATH FOR PS-25KL		
④ SH-30 EX	WOODEN SHEATH FOR PS-30KL		

TL-24 / TL-27 / TL-30



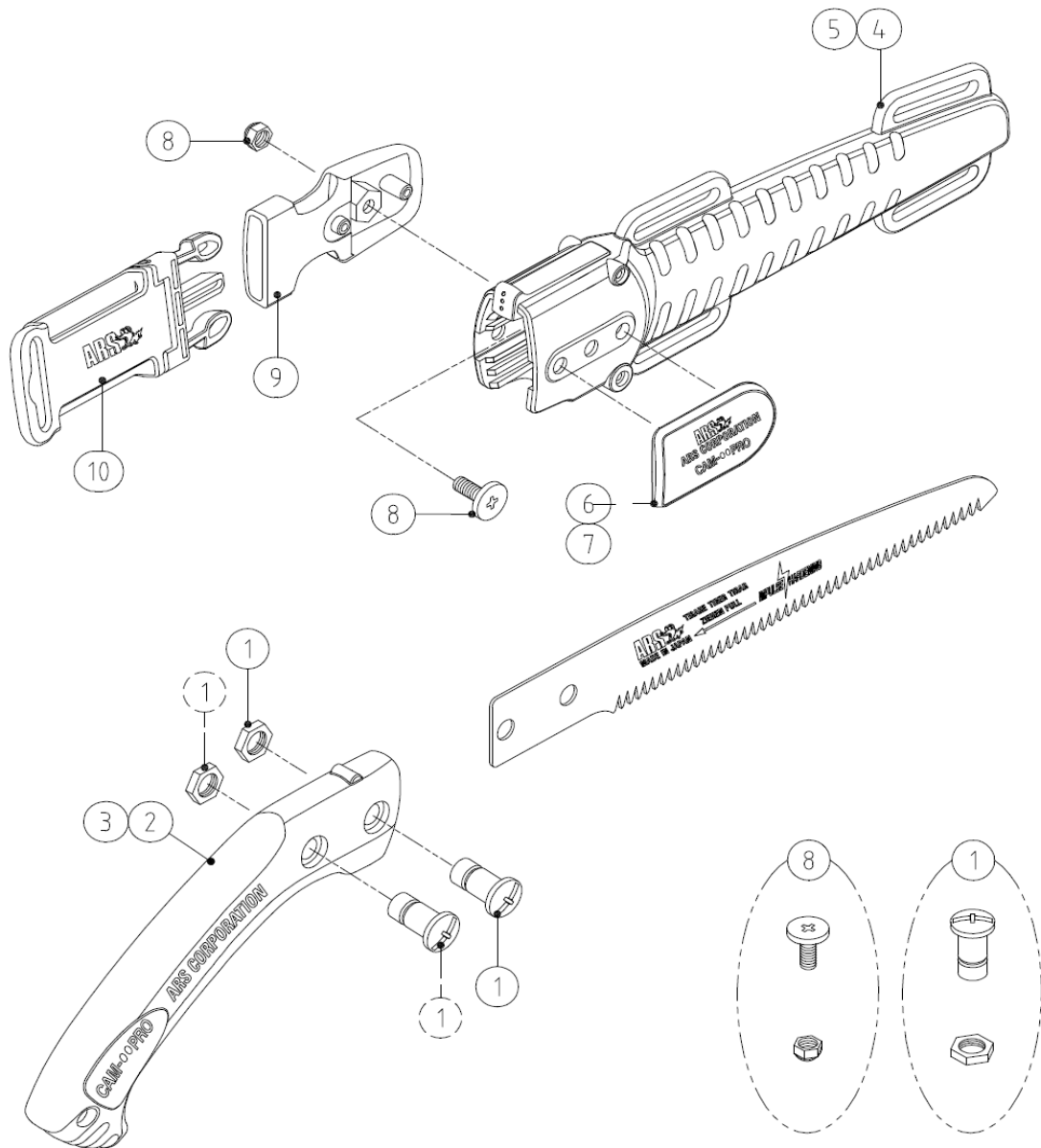
PARTS NO.	SPECIFICATION	PARTS NO.	SPECIFICATION
① SP-50	BOLT & NUT FOR TL-24/27/30		
② SP-289	GRIP FOR TL-24/27/30		
③ SP-274	SHEATH FOR TL-24		
④ SP-286	SHEATH FOR TL-27		
⑤ SP-287	SHEATH FOR TL-30		

DUKE-25



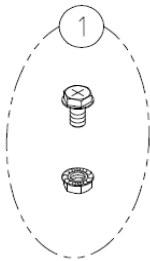
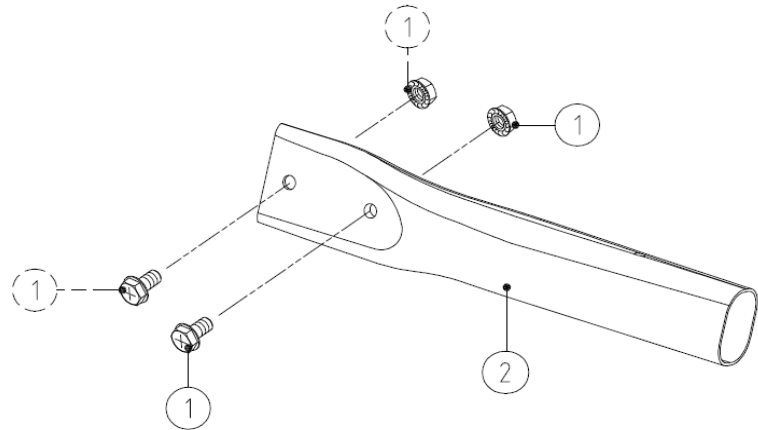
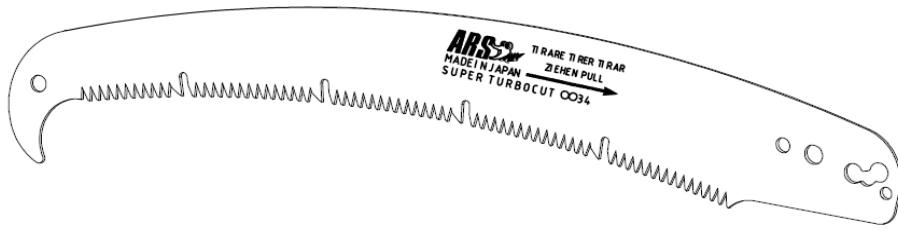
PARTS NO.	SPECIFICATION	PARTS NO.	SPECIFICATION
① SP-266	BOLT & NUT FOR DUKE-25 (1PC EACH)		
② SP-267	GRIP FOR DUKE-25		
③ SP-268	SHEATH FOR DUKE-25		

CAM-18PRO / CAM-24PRO



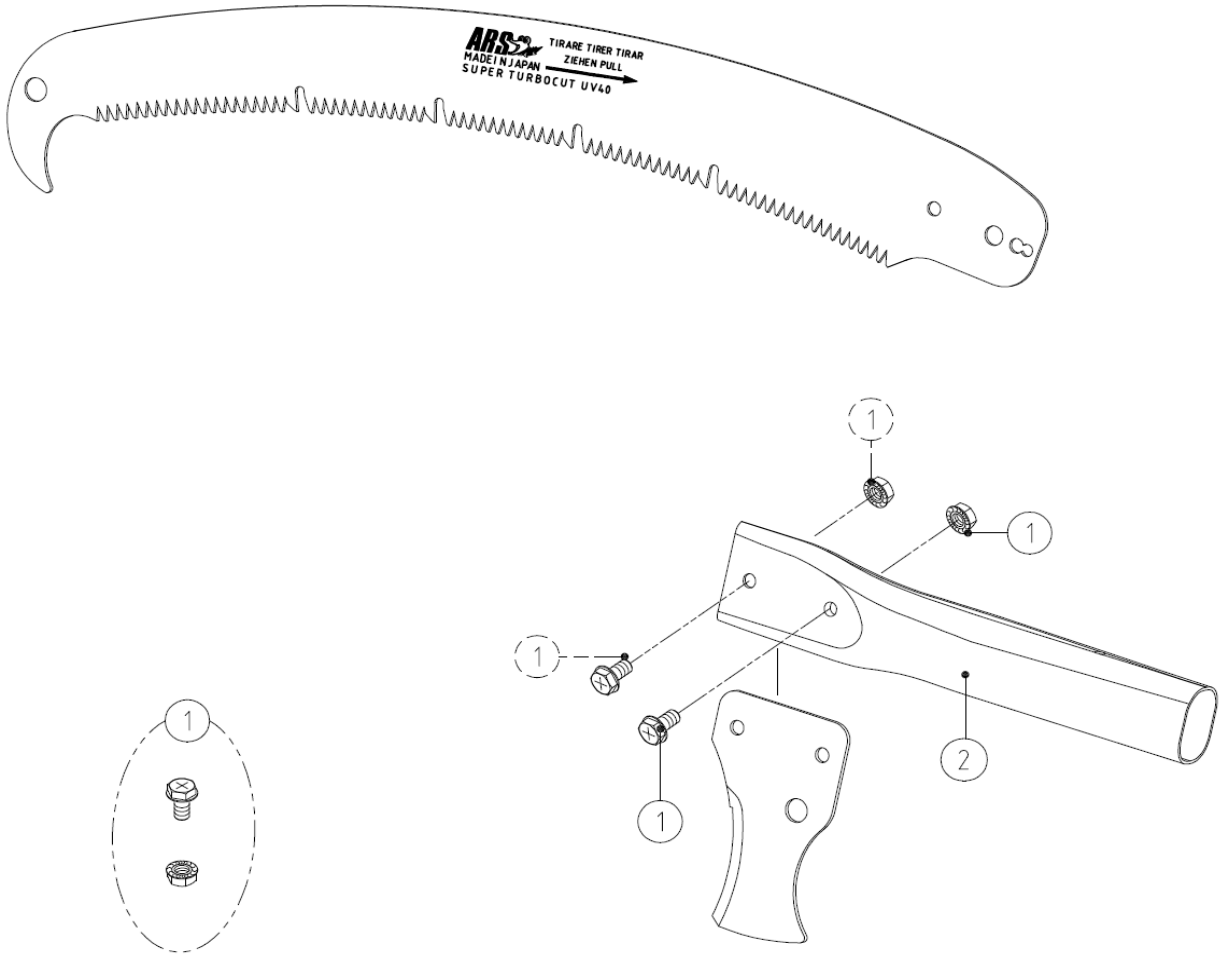
PARTS NO.	SPECIFICATION	PARTS NO.	SPECIFICATION
① SP-359	BOLT & NUT FOR CAM/CT/UV/CTR/UVR-PRO SERIES (1PC EACH)		
② SP-360	GRIP FOR CAM-18PRO		
③ SP-361	GRIP FOR CAM-24PRO		
④ SP-362	SHEATH ONLY, FOR CAM-18PRO (WITHOUT NAME PLATE OR BELT CLIP)		
⑤ SP-363	SHEATH ONLY, FOR CAM-24PRO (WITHOUT NAME PLATE OR BELT CLIP)		
⑥ SP-364	NAME PLATE FOR CAM-18PRO		
⑦ SP-365	NAME PLATE FOR CAM-24PRO		
⑧ SP-366	BOLT & NUT FOR THE BELT CLIP OF CAM/CT/UV/CTR/UVR-PRO SERIES		
⑨ SP-367	BELT CLIP FOR CAM/CT/UV/CTR/UVR-PRO SERIES		
⑩ SP-429	BELT FOR CAM/CT/UV-PRO SERIES		

UV-34 / CT-34



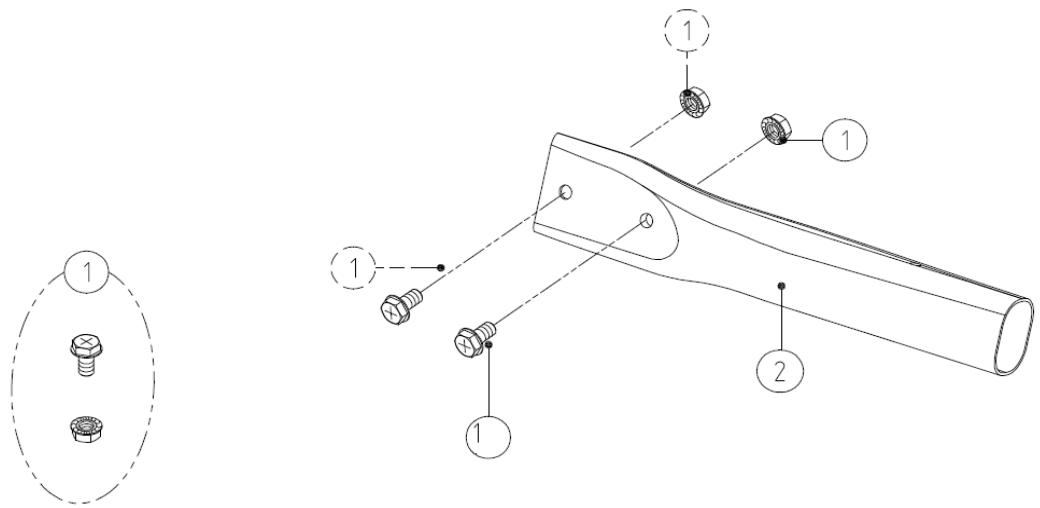
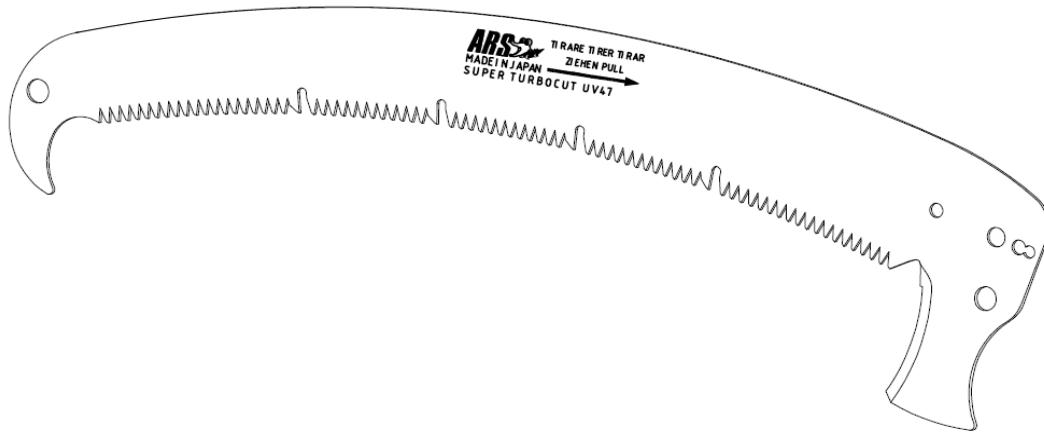
PARTS NO.	SPECIFICATION	PARTS NO.	SPECIFICATION
① SP-146	BOLT & NUT FOR CT/UV-32PRO-EXP/-34, UV-40/-47,JG-1/-2/-3		
② JG-2 EX	GRIP ONLY, FOR UV/CT-34,32E-1 & UVR/CTR-32PRO-1		

UV-40



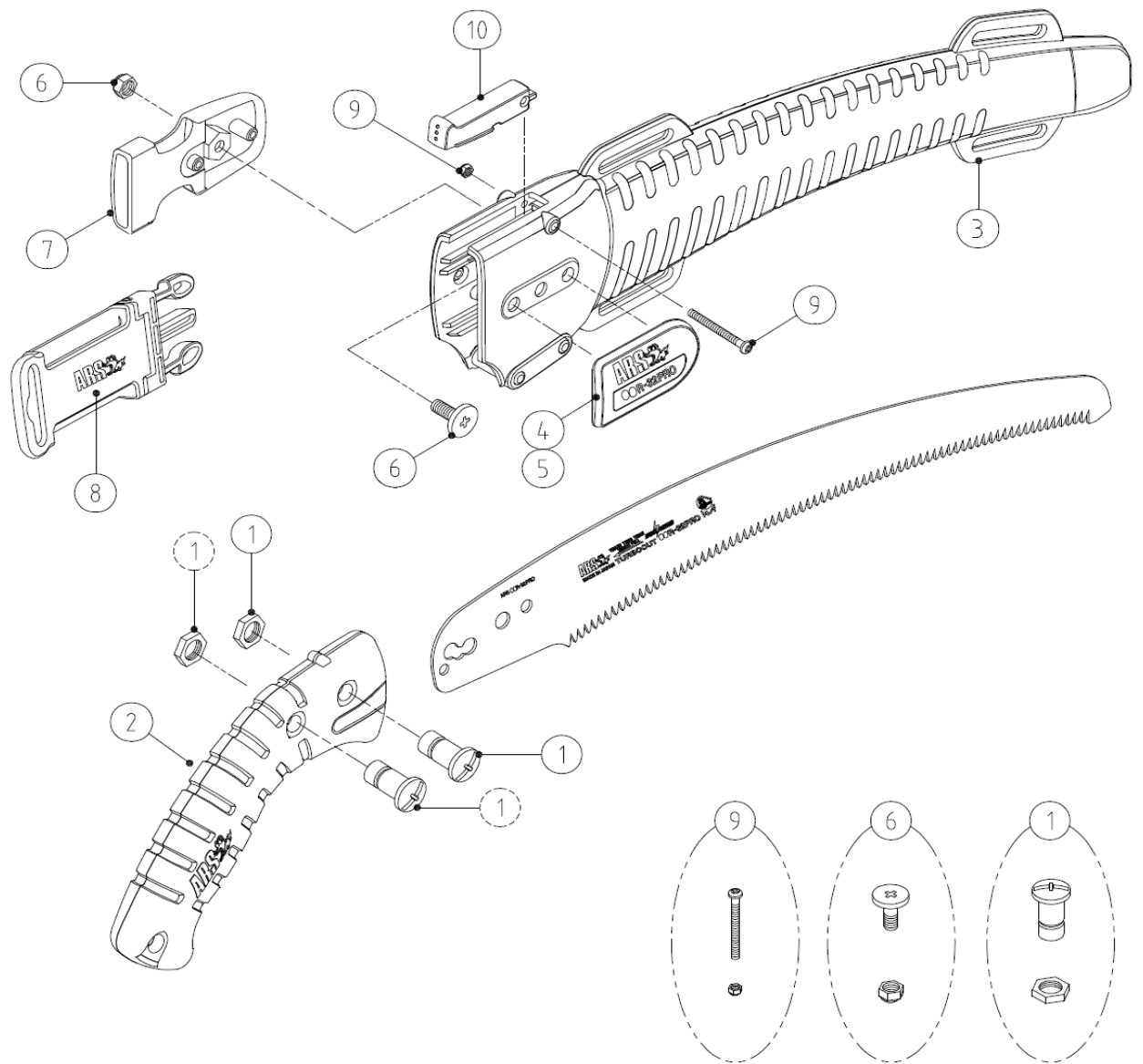
PARTS NO.	SPECIFICATION	PARTS NO.	SPECIFICATION
① SP-146	BOLT & NUT FOR CT/UV-32PRO-EXP/-34, UV-40/-47,JG-1/-2/-3		
② JG-1 EX	GRIP ONLY, FOR UV-40 & 47 W/BOLT & NUT		
JG-2 EX	GRIP ONLY, FOR UV/CT-34,32E-1 & UVR/CTR-32PRO-1		
JG-3 EX	GRIP ONLY, FOR UNIVERSAL ROUND POLE		
JG-4 EX	GRIP ONLY, FOR UNIVERSAL POLE PRUNER		

UV-47



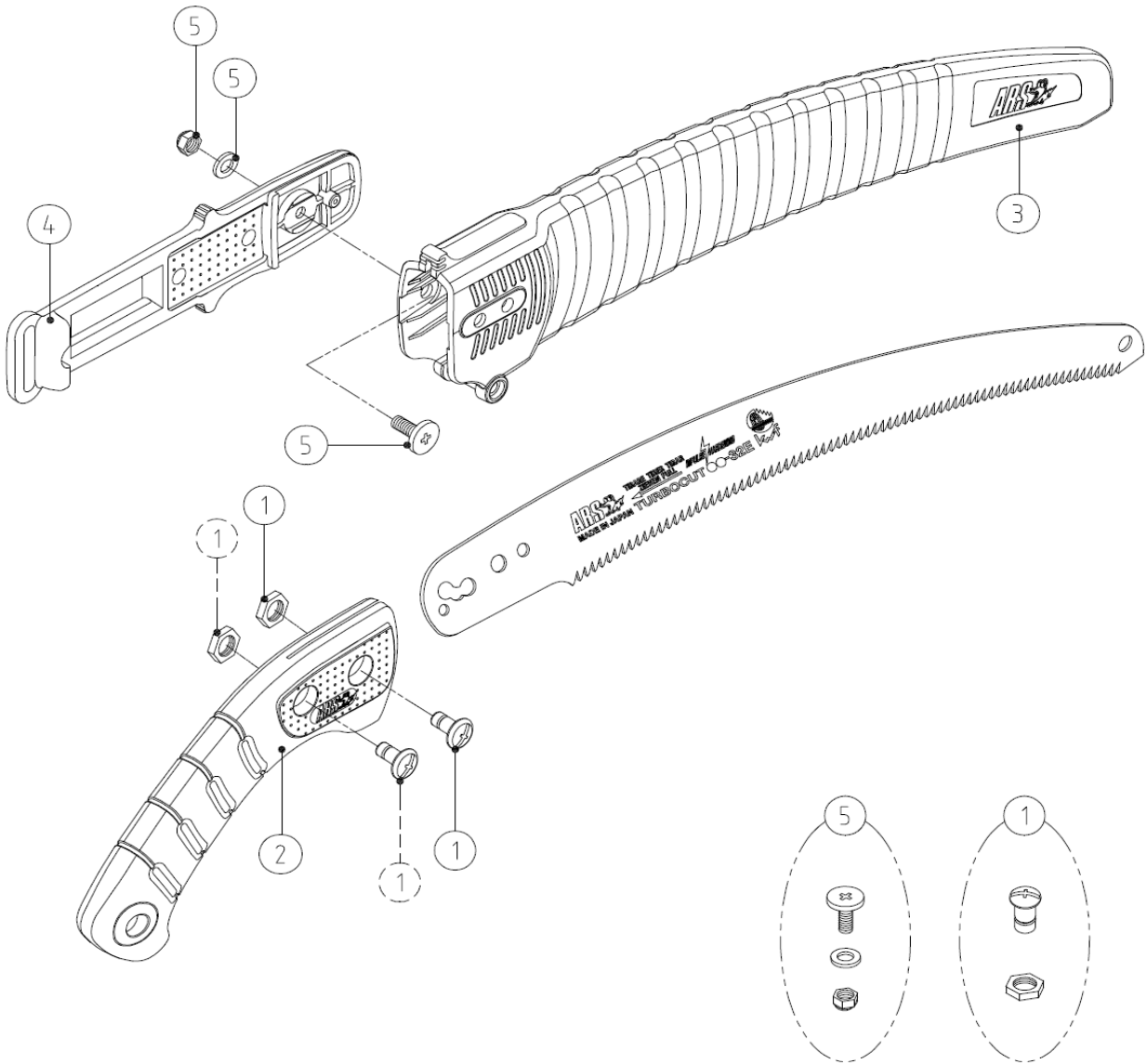
PARTS NO.	SPECIFICATION	PARTS NO.	SPECIFICATION
① SP-146	BOLT & NUT FOR CT/UV-32PRO-EXP/-34, UV-40/-47,JG-1/-2/-3		
② JG-1 EX	GRIP ONLY, FOR UV-40 & 47 W/BOLT & NUT		
JG-2 EX	GRIP ONLY, FOR UV/CT-34,32E-1 & UVR/CTR-32PRO-1		
JG-3 EX	GRIP ONLY, FOR UNIVERSAL ROUND POLE		
JG-4 EX	GRIP ONLY, FOR UNIVERSAL POLE PRUNER		

CTR-32PRO / UVR-32PRO



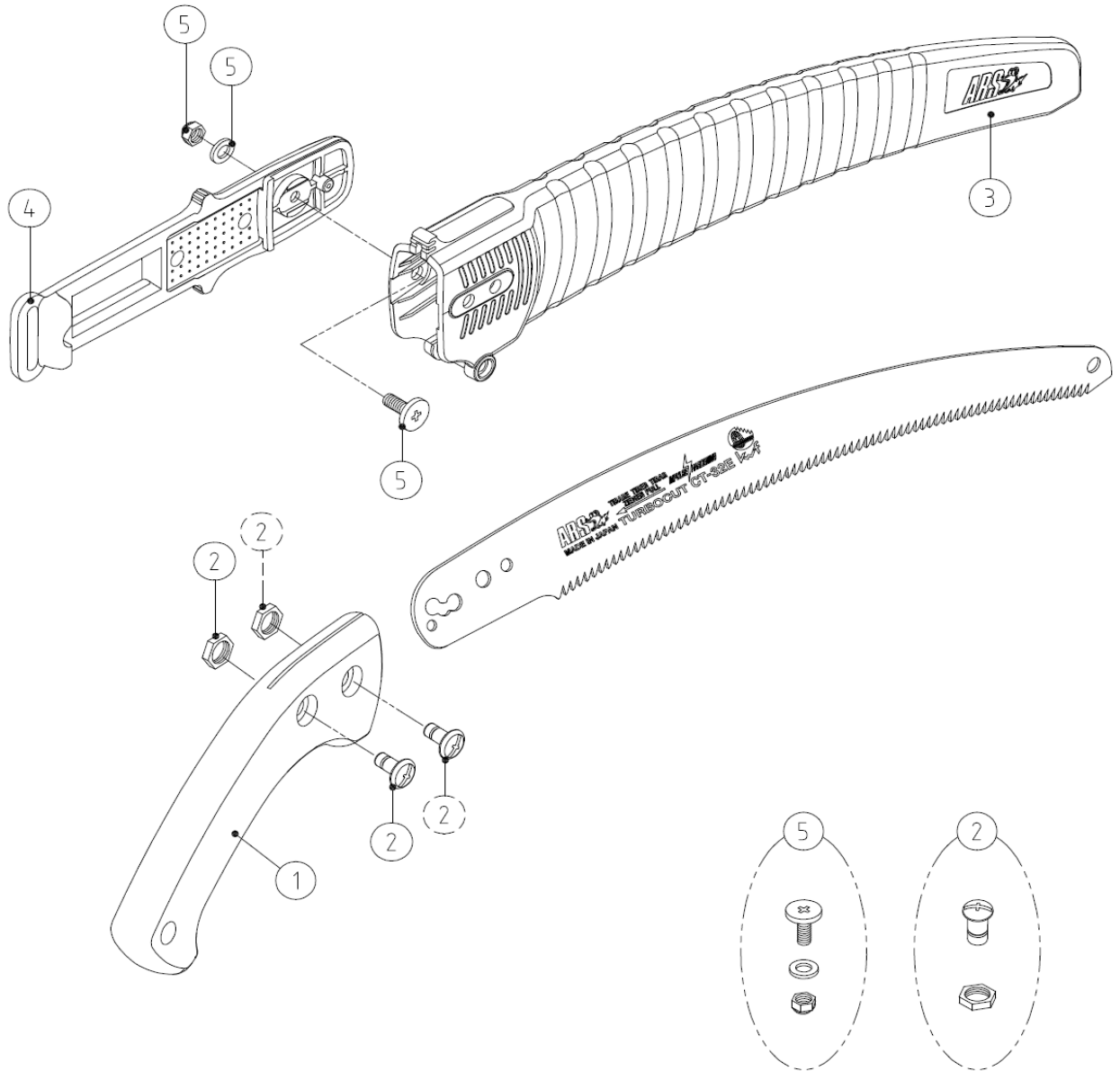
PARTS NO.	SPECIFICATION	PARTS NO.	SPECIFICATION
① SP-359	BOLT & NUT FOR CAM/CT/UV/CTR/UVR-PRO SERIES (1PC EACH)		
② SP-455	GRIP FOR CTR/UVR-32PRO		
③ SP-456	SHEATH FOR CTR/UVR-32PRO (W/O STOPPER, NAME PLATE OR BELT CLIP)		
④ SP-457	NAME PLATE FOR CTR-32PRO		
⑤ SP-458	NAME PLATE FOR UVR-32PRO		
⑥ SP-366	BOLT & NUT FOR THE BELT CLIP OF CAM/CT/UV/CTR/UVR-PRO SERIES		
⑦ SP-367	BELT CLIP FOR CAM/CT/UV/CTR/UVR-PRO SERIES		
⑧ SP-429	BELT FOR CAM/CT/UV/CTR/UVR SERIES		
⑨ SP-373	BOLT & NUT FOR STOPPER OF CT/UV/CTR/UVR-32PRO/-EXP, 37PRO & 42PRO		
⑩ SP-372	STOPPER FOR CT/UV/CTR/UVR-32PRO, 37PRO & 42PRO		

CT-32E / UV-32E



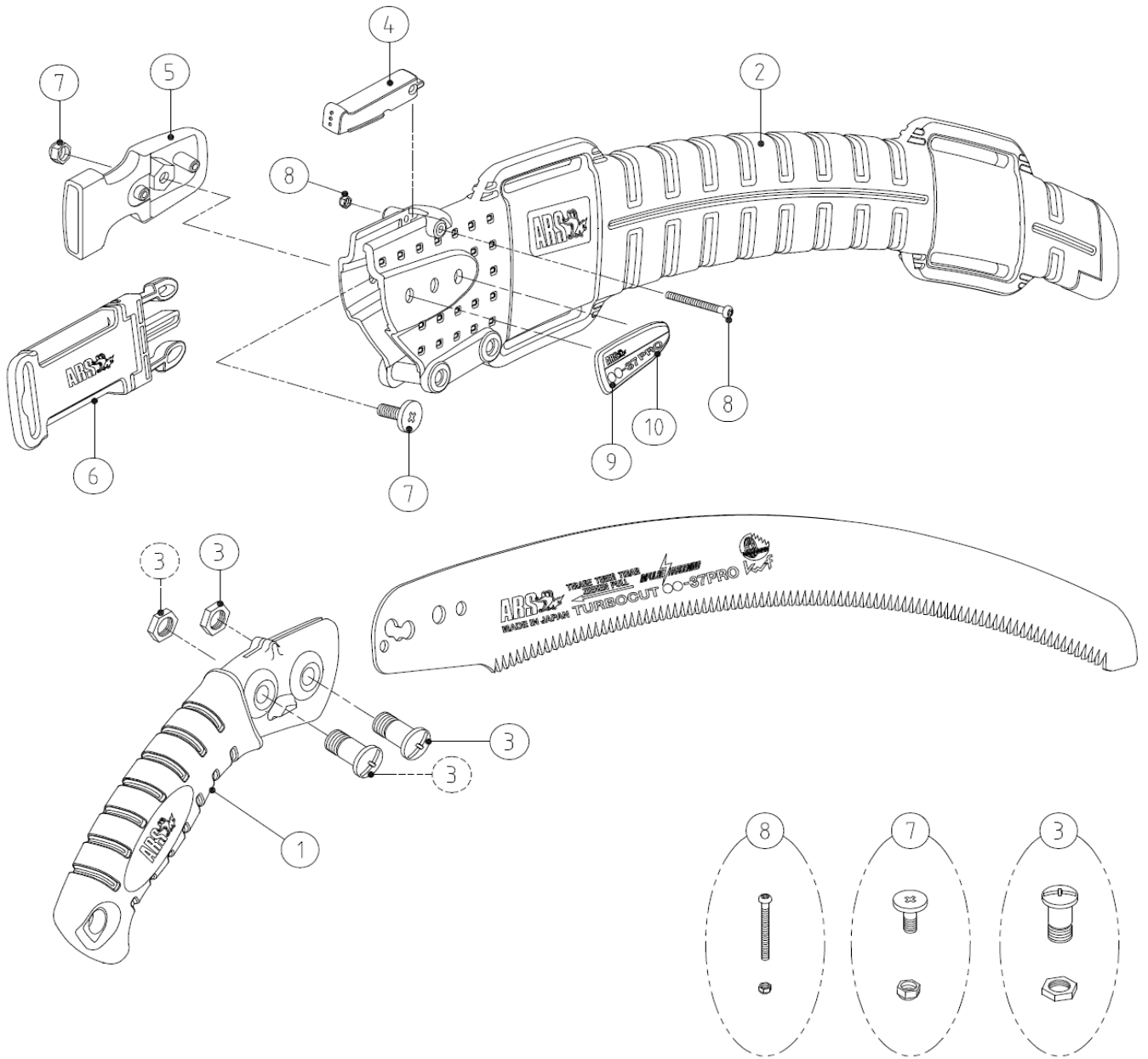
PARTS NO.	SPECIFICATION	PARTS NO.	SPECIFICATION
① SP-126	BOLT & NUT FOR CT/UV-32E SERIES (1 PC EACH)		
② SP-405	GRIP FOR CT/UV-32E		
③ SP-406	SHEATH FOR CT/UV-32E SERIES WITHOUT BELT LOOP OR ANY OTHER PART		
④ SP-407	BELT LOOP FOR CT/UV-32E SERIES		
⑤ SP-408	BOLT, NUT & WASHER FOR THE SHEATH OF CT/UV-32E SERIES		

CT-32E-W / UV-32E-W



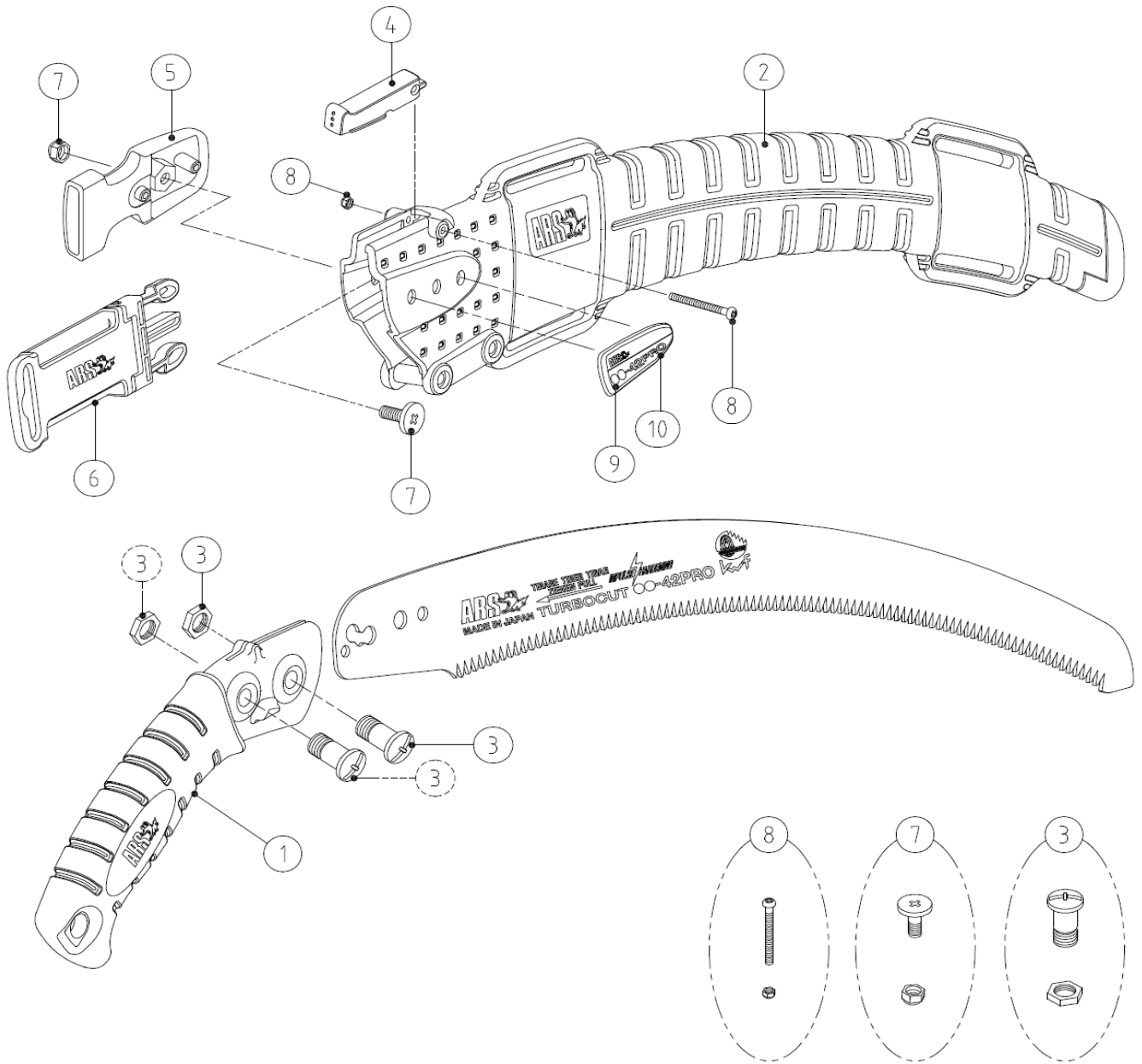
PARTS NO.	SPECIFICATION	PARTS NO.	SPECIFICATION
①	SP-378 WOODEN GRIP FOR CT/UV-32E-W		
②	SP-126 BOLT & NUT FOR CT/UV-32E SERIES (1PC EACH)		
③	SP-406 SHEATH FOR CT/UV-32E SERIES WITHOUT BELT LOOP OR ANY OTHER PART		
④	SP-407 BELT LOOP FOR CT/UV-32E SERIES		
⑤	SP-408 BOLT, NUT & WASHER FOR THE SHEATH OF CT/UV-32E SERIES		

CT-37PRO / UV-37PRO



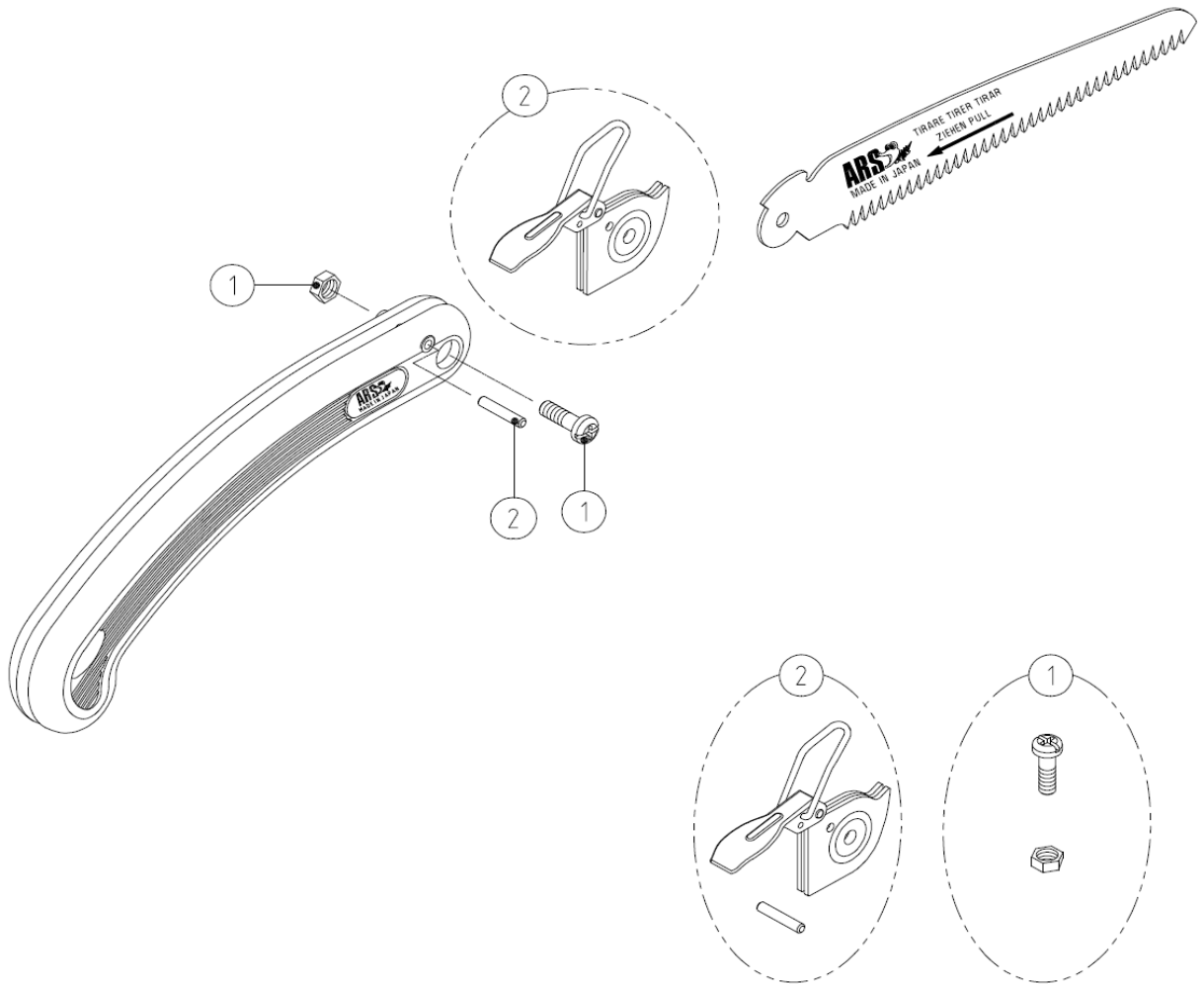
PARTS NO.	SPECIFICATION	PARTS NO.	SPECIFICATION
①	SP-427 GRIP FOR CT/UV-37PRO/42PRO		
②	SP-428 SHEATH FOR CT/UV-37PRO/42PRO (W/O STOPPER,NAME PLATE OR BELT CLIP)		
③	SP-359 BOLT & NUT FOR CAM/CT/UV/CTR/ UVR-PRO SERIES (1PC EACH)		
④	SP-372 STOPPER FOR CT/UV/CTR/UVR-32PRO/ 37PRO/42PRO		
⑤	SP-367 BELT CLIP FOR CAM/CT/UV/CTR/ UVR-PRO SERIES		
⑥	SP-429 BELT FOR CAM/CT/UV/CTR/UVR-PRO SERIES		
⑦	SP-366 BOLT & NUT FOR THE BELT CLIP OF CAM/CT/UV/CTR/UVR-PRO SERIES		
⑧	SP-373 BOLT & NUT FOR STOPPER OF CT/UV/CTR/ UVR-32PRO/-EXP/37PRO/42PRO		
⑨	SP-430 NAME PLATE FOR CT-37PRO		
⑩	SP-431 NAME PLATE FOR UV-37PRO		

CT-42PRO / UV-42PRO



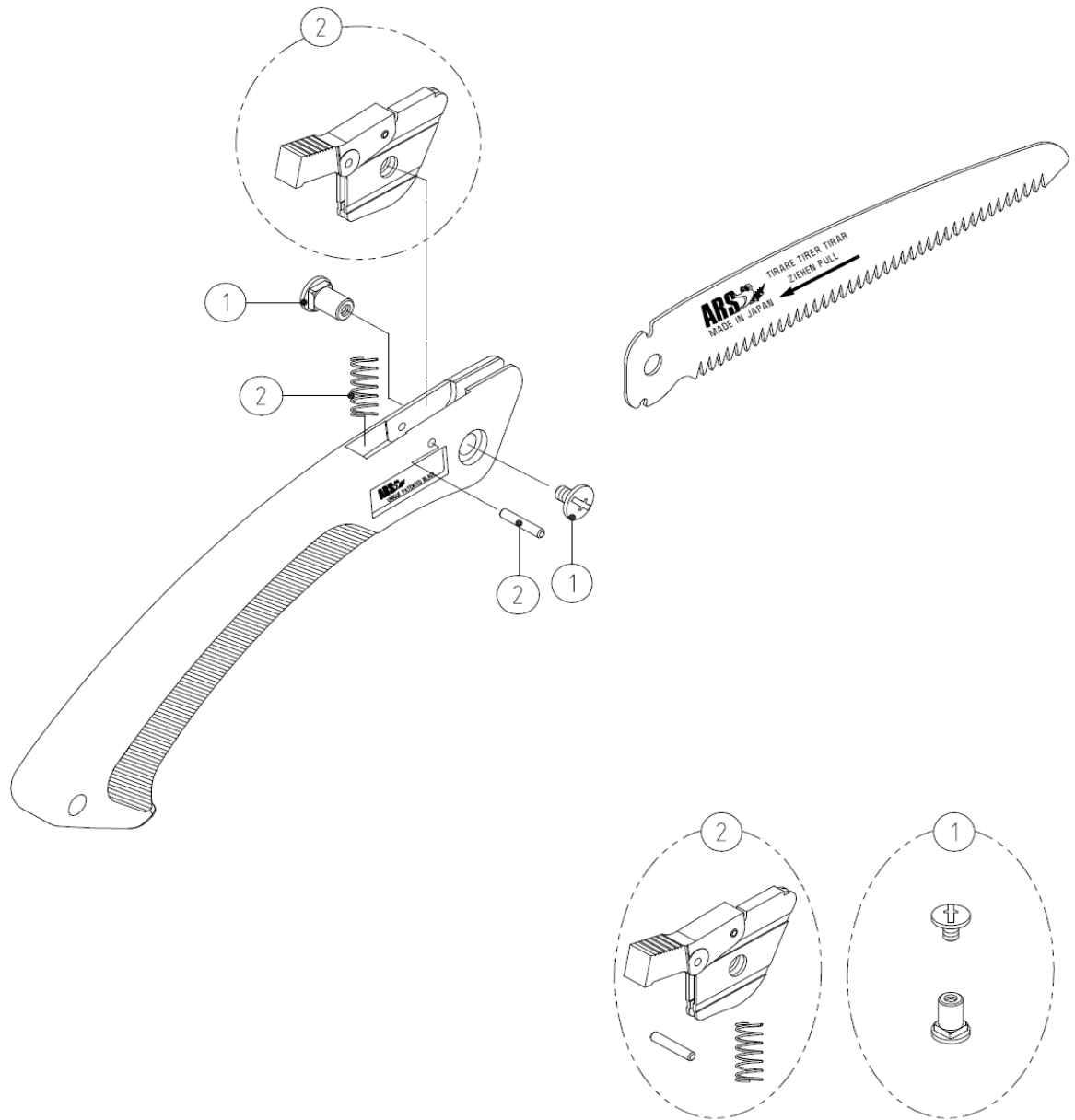
PARTS NO.	SPECIFICATION	PARTS NO.	SPECIFICATION
①	SP-427		
	GRIP FOR CT/UV-37PRO/42PRO		
②	SP-428		
	SHEATH FOR CT/UV-37PRO/42PRO		
	(W/O STOPPER,NAME PLATE OR BELT CLIP)		
③	SP-359		
	BOLT & NUT FOR CAM/CT/UV/CTR/		
	UVR-PRO SERIES (1PC EACH)		
④	SP-372		
	STOPPER FOR CT/UV/CTR/UVR-32PRO/		
	37PRO/42PRO		
⑤	SP-367		
	BELT CLIP FOR CAM/CT/UV/CTR/		
	UVR-PRO SERIES		
⑥	SP-429		
	BELT FOR CAM/CT/UV/CTR/UVR-PRO SERIES		
⑦	SP-366		
	BOLT & NUT FOR THE BELT CLIP OF		
	CAM/CT/UV/CTR/UVR-PRO SERIES		
⑧	SP-373		
	BOLT & NUT FOR STOPPER OF CT/UV/CTR/		
	UVR-32PRO/-EXP/37PRO/42PRO		
⑨	SP-443		
	NAME PLATE FOR CT-42PRO		
⑩	SP-444		
	NAME PLATE FOR UV-42PRO		

210DX



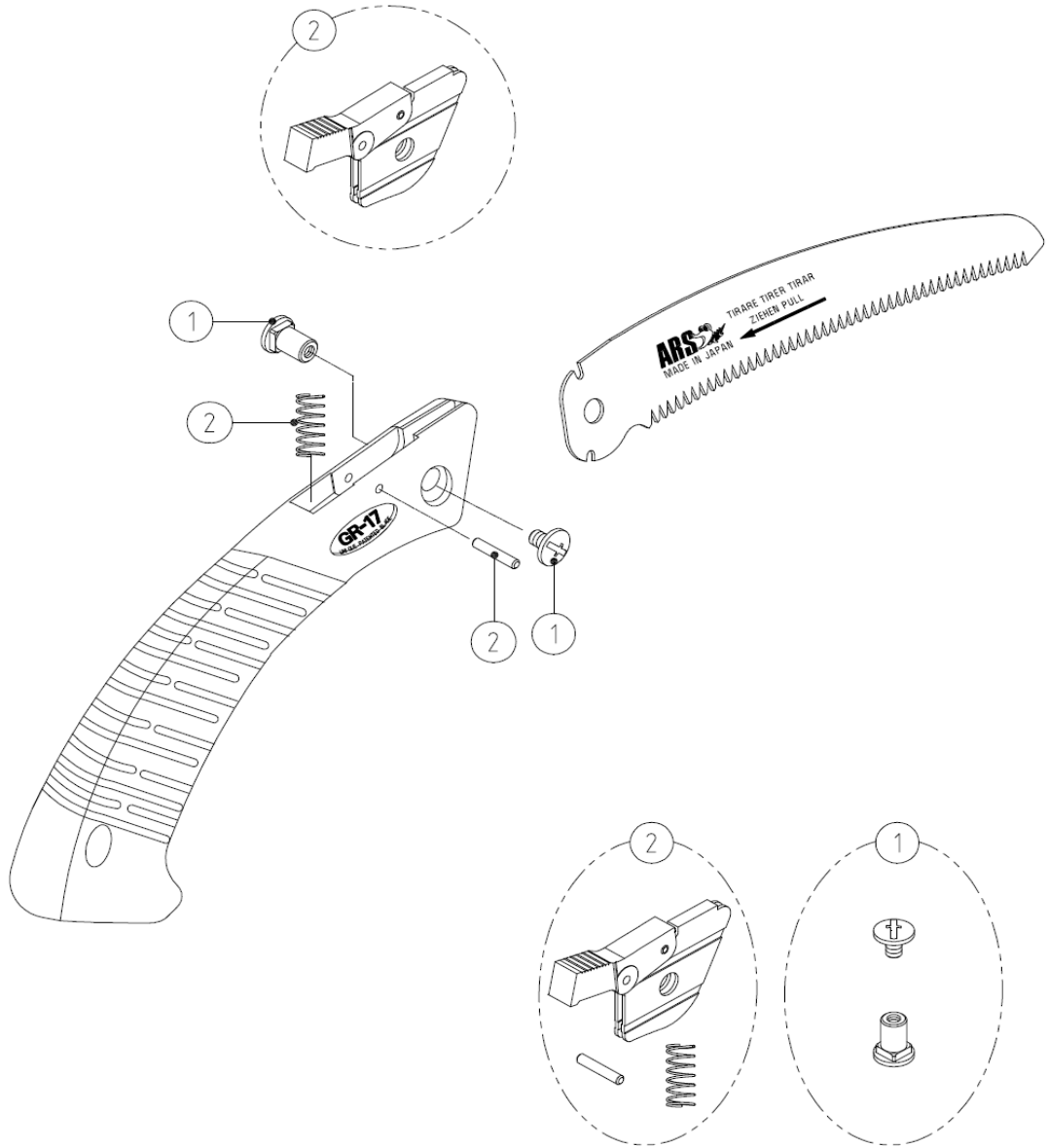
PARTS NO.	SPECIFICATION	PARTS NO.	SPECIFICATION
① SP-3	BOLT & NUT FOR 210DX		
② SP-179	STOPPER SET FOR 210DX/200B		

Z-17



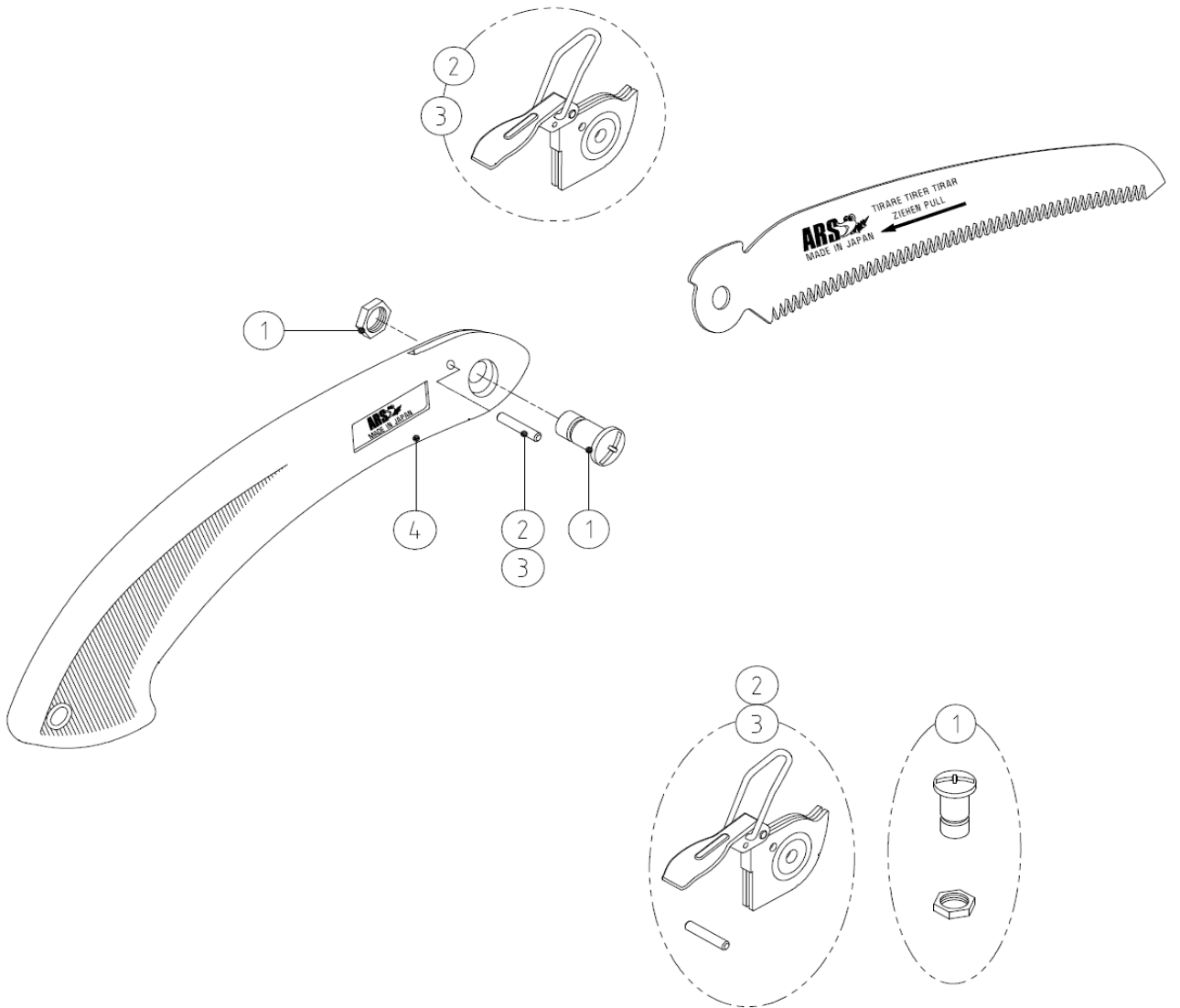
PARTS NO.	SPECIFICATION	PARTS NO.	SPECIFICATION
① SP-118	BOLT & NUT FOR Z-17/G-17/GR-17		
② SP-182	STOPPER SET FOR Z-17/G-17/GR-17		

G-17 / GR-17



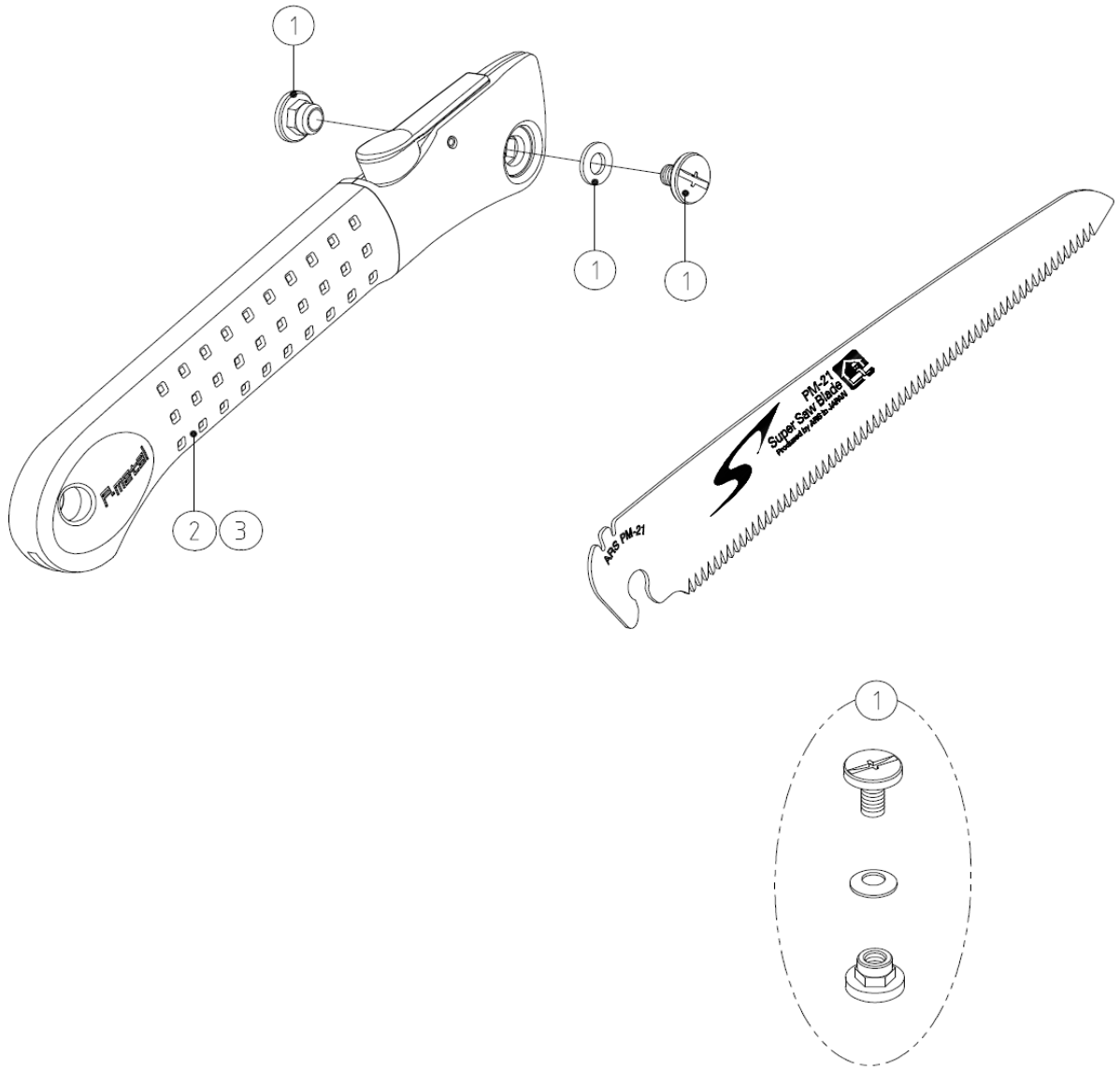
PARTS NO. SPECIFICATION	PARTS NO. SPECIFICATION
① SP-118 BOLT & NUT FOR Z-17/G-17/GR-17	
② SP-182 STOPPER SET FOR Z-17/G-17/GR-17	

G-18L / G-18HL / GR-18L



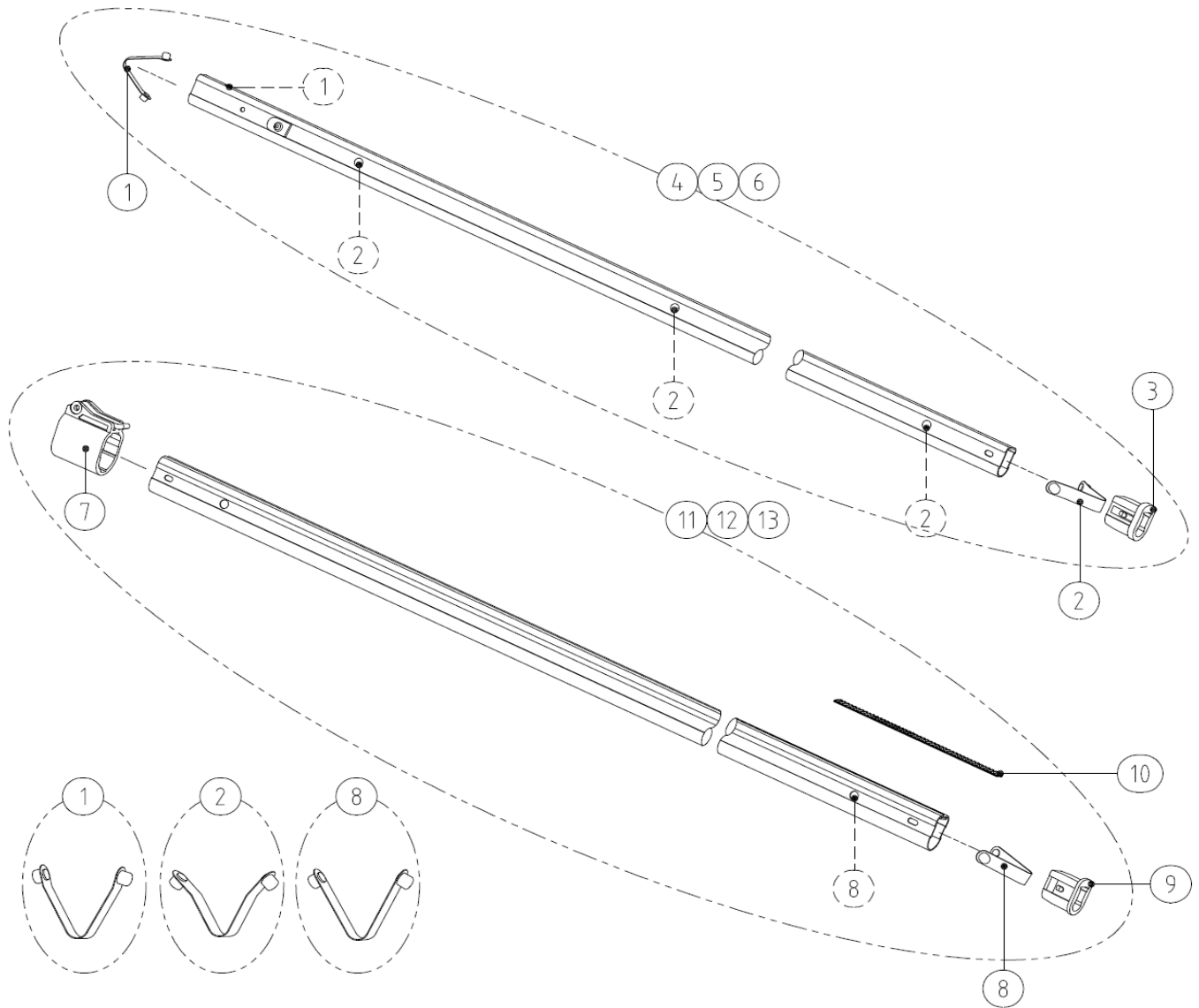
PARTS NO.	SPECIFICATION	PARTS NO.	SPECIFICATION
① SP-1	BOLT, NUT & WASHER FOR G/GR-18L/18HL		
② SP-178	STOPPER SET FOR G-18/G-18L/G-18H/G-18HL		
③ SP-317	STOPPER SET FOR GR-18L		
④ SP-271	GRIP ONLY FOR G-18/18L/18H/18HL/GR-18L		

PM-21 / PM-21L / PM-24 / PM-24L



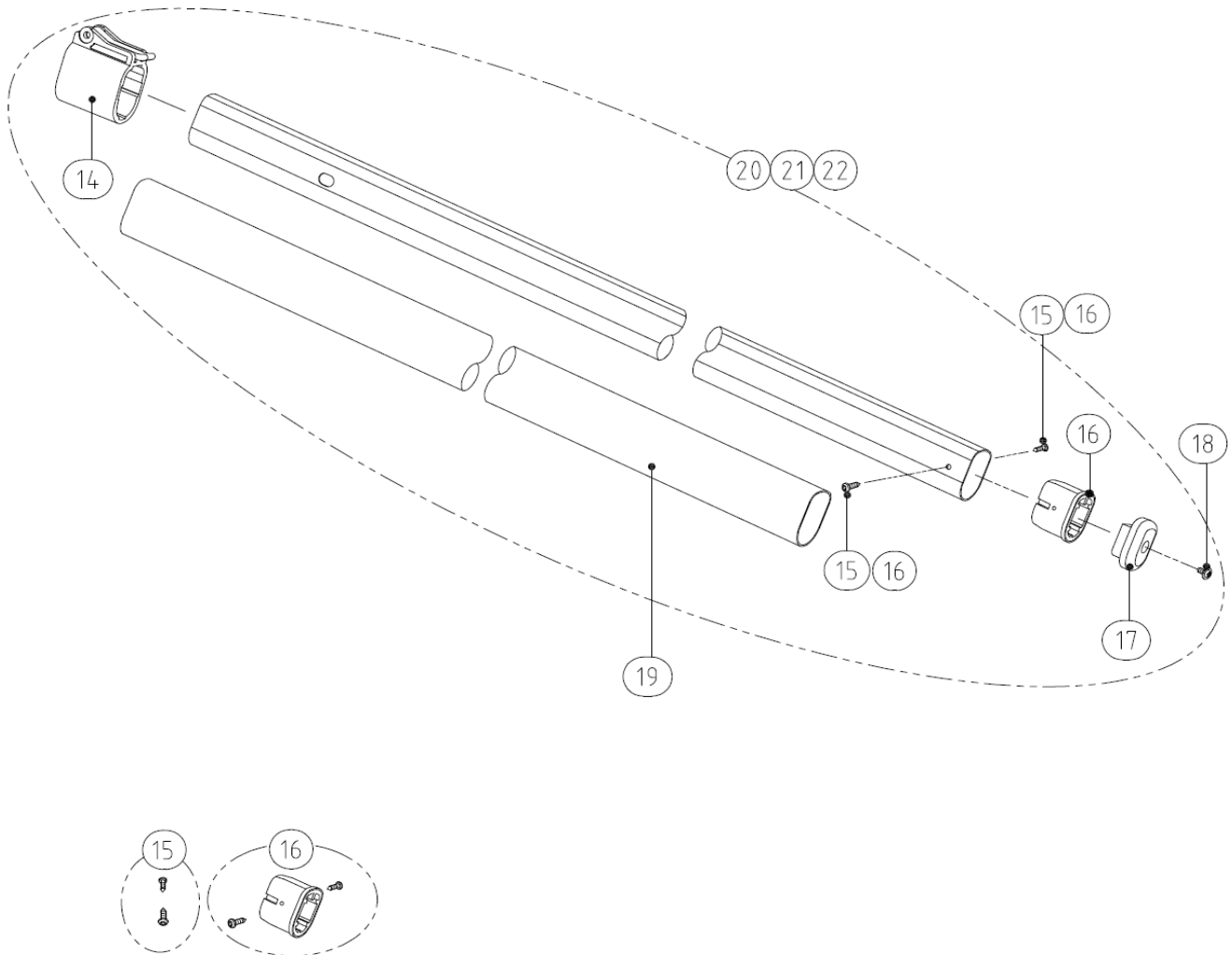
PARTS NO.	SPECIFICATION	PARTS NO.	SPECIFICATION
① SP-324	BOLT, NUT & WASHER FOR PM-21/21L/24/24L		
② SP-325	GRIP FOR PM-21/21L		
③ SP-326	GRIP FOR PM-24/24L		

EXP-3.3 / EXP-4.5 / EXP-5.5



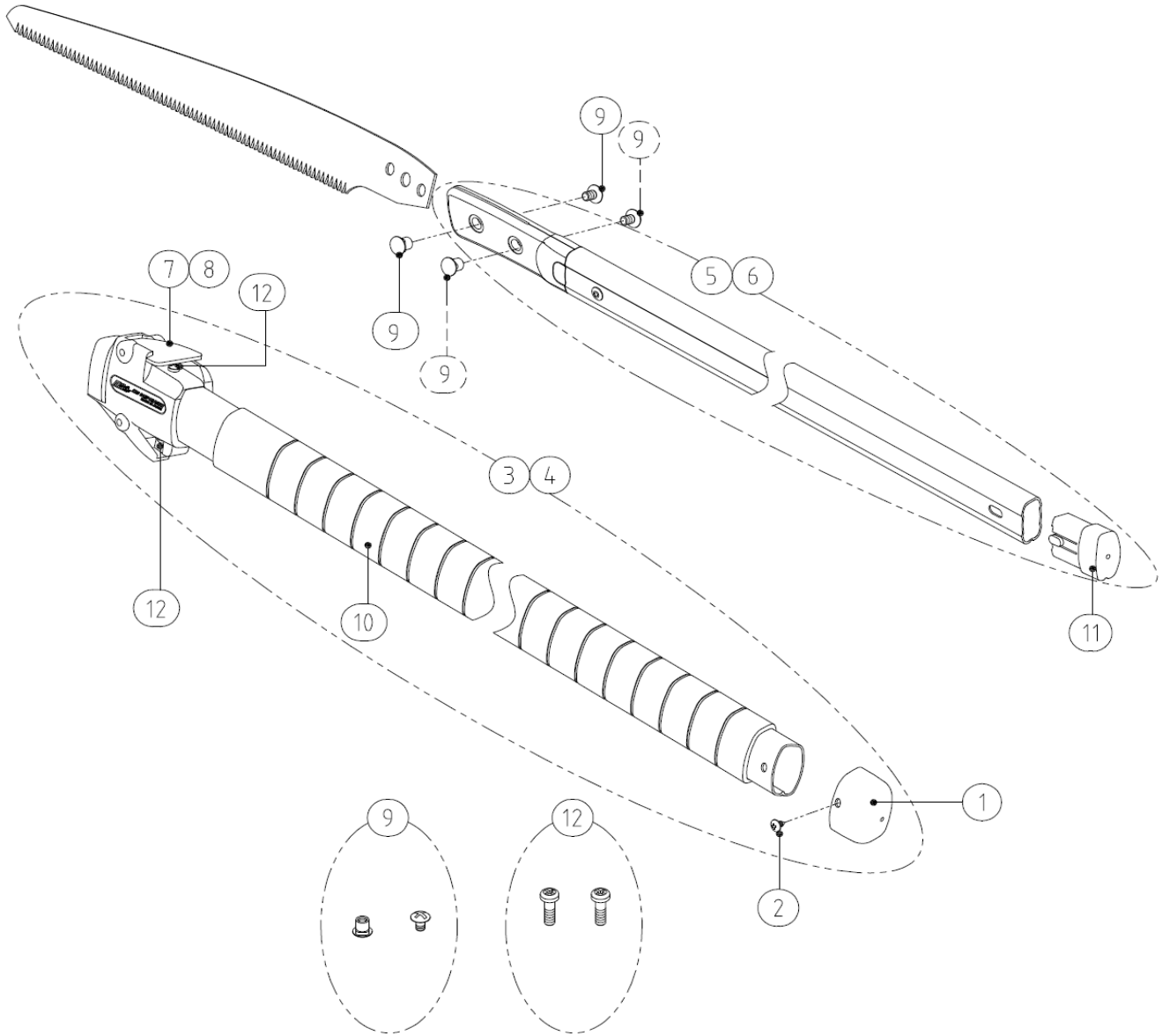
PARTS NO.	SPECIFICATION	PARTS NO.	SPECIFICATION
① SP-453	PRESS BUTTON W/SPRING, BENT INSIDE, FOR EXP SERIES	⑩ SP-111	PLASTIC GUIDE FOR EXP-4.5/EXP-5.5 (1 PC.)
② SP-454	PRESS BUTTON W/SPRING, BENT OUTSIDE, FOR EXP SERIES	SP-111-A	PLASTIC GUIDE SET FOR EXP-4.5 (6 PCS.)
③ SP-120	ENDCAP FOR C PIPE OF EXP SERIES	SP-111-B	PLASTIC GUIDE SET FOR EXP-5.5 (8 PCS.)
④ SP-329	UPPER PIPE (C PIPE) OF EXP-3.3	SP-111-C	PLASTIC GUIDE SET FOR EXP-3.3 (5 PCS.)
⑤ SP-117	UPPER PIPE (C PIPE) OF EXP-4.5	⑪ SP-328	MIDDLE PIPE (B PIPE) OF EXP-3.3
⑥ SP-104	UPPER PIPE (C PIPE) OF EXP-5.5	⑫ SP-116	MIDDLE PIPE (B PIPE) OF EXP-4.5
⑦ SP-113-A	STOPPER SET FOR MIDDLE PIPE (B PIPE) OF EXP-4.5	⑬ SP-103	MIDDLE PIPE (B PIPE) OF EXP-5.5
SP-113-B	STOPPER SET FOR MIDDLE PIPE (B PIPE) OF EXP-5.5		
SP-113-D	STOPPER SET FOR MIDDLE PIPE (B PIPE) OF EXP-3.3		
⑧ SP-110	PRESS BUTTON W/SPRING, W/O BENDING, FOR EXP SERIES		
⑨ SP-119	ENDCAP FOR B PIPE OF EXP SERIES		

EXP-3.3 / EXP-4.5 / EXP-5.5



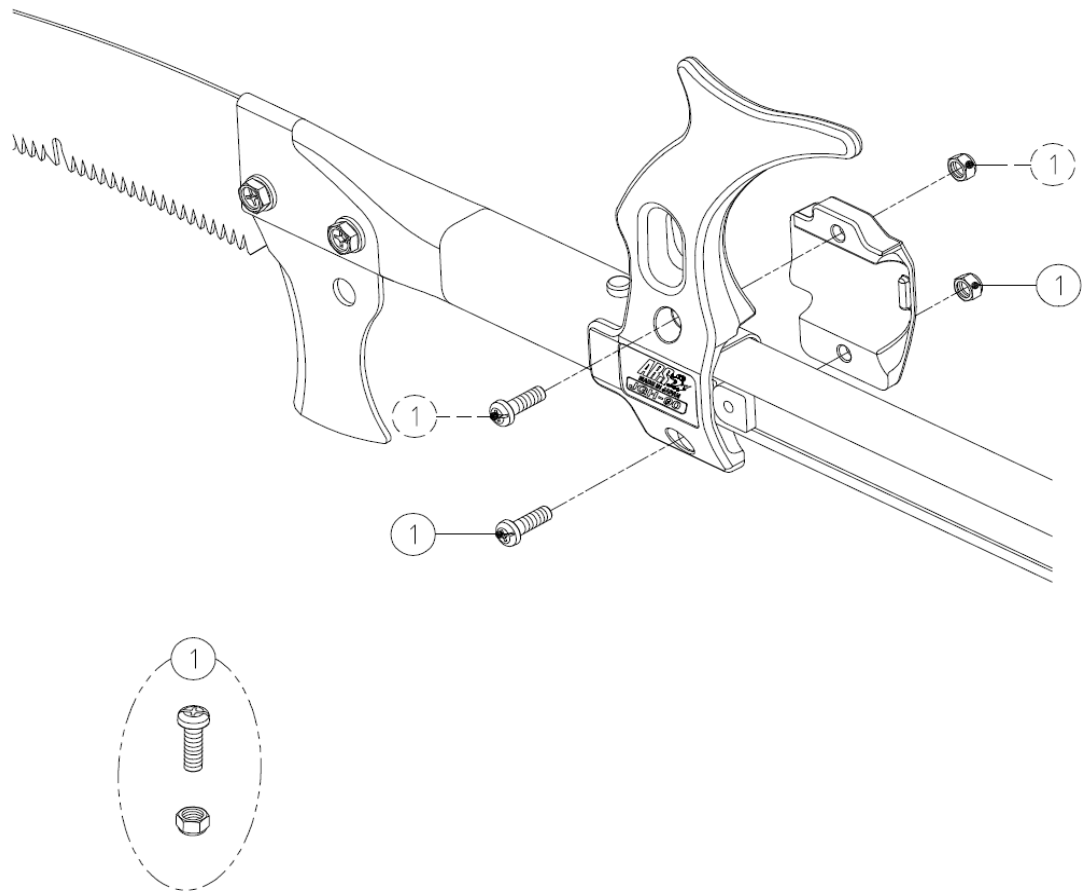
PARTS NO.	SPECIFICATION	PARTS NO.	SPECIFICATION
⑭	SP-114 STOPPER SET FOR LOWER PIPE (A PIPE) OF EXP SERIES		
⑮	SP-121 SCREW FOR ENDCAP A OF EXP SERIES (2PCS)		
⑯	SP-115 ENDCAP FOR A PIPE OF EXP SERIES WITH 2 SCREWS		
⑰	SP-330 RUBBER CUSHION FOR EXP SERIES		
⑱	SP-331 SCREW TO ATTACHED THE RUBBER CUSHION FOR EXP SERIES		
⑲	SP-122 GRIP COVER FOR A PIPE OF EXP SERIES		
⑳	SP-327 LOWER PIPE (A PIPE) OF EXP-3.3 WITH GRIP COVER		
㉑	SP-112 LOWER PIPE (A PIPE) OF EXP-4.5 WITH GRIP COVER		
㉒	SP-102 LOWER PIPE (A PIPE) OF EXP-5.5 WITH GRIP COVER		

EXW-1.8 / EXW-2.7



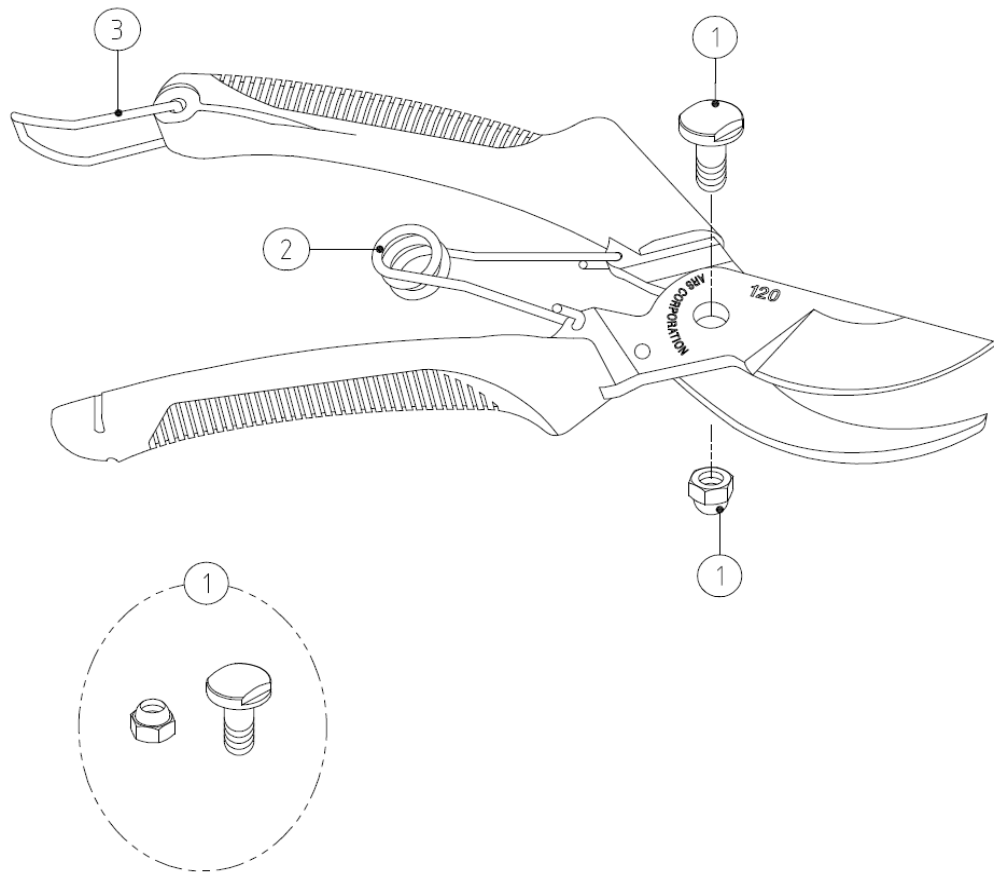
PARTS NO.	SPECIFICATION	PARTS NO.	SPECIFICATION
① SP-300	ENDCAP FOR THE BOTTOM PIPE FOR EXW-1.8/2.7	⑩ SP-309	PLASTIC GRIP ONLY FOR THE BOTTOM PIPE FOR EXW-1.8/2.7(1/2 PC.)
② SP-301	ENDCAP HOLDING SCREW FOR EXW-1.8/2.7 (1PC)	⑪ SP-310	ENDCAP FOR INNER PIPE FOR EXW-1.8/2.7
③ SP-302	BOTTOM GRIP SET FOR EXW-1.8 (ICL.GRIP AND JOINT CASE)	⑫ SP-333	SCREW OF JOINT CASE FOR EXW-1.8/2.7 (2PCS)
④ SP-311	BOTTOM GRIP SET EXW-2.7 (ICL.GRIP AND JOINT CASE)		
⑤ SP-477	INNER PIPE SET FOR EXW-1.8 W/O BLADE HOLDING BOLT & NUT		
⑥ SP-478	INNER PIPE SET FOR EXW-2.7 W/O BLADE HOLDING BOLT & NUT		
⑦ SP-304-A	JOINT CASE FOR EXW-1.8 WITH SCREW		
⑧ SP-304-B	JOINT CASE FOR EXW-2.7 WITH SCREW		
⑨ SP-308	BLADE HOLDING BOLT & NUT FOR EXW-1.8/2.7 (1PC EACH)		

JGH-90



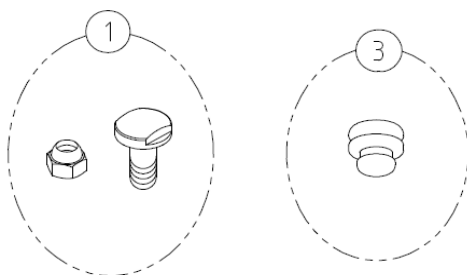
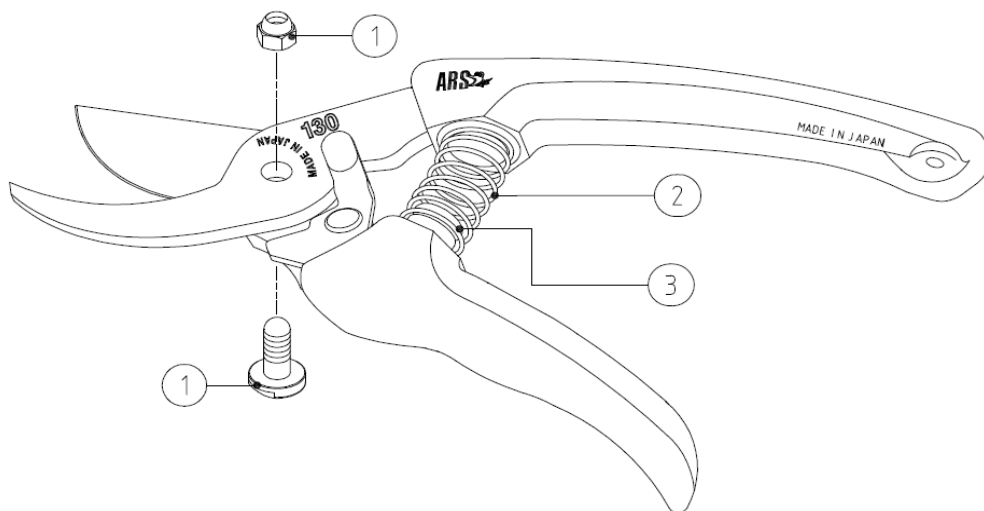
PARTS NO.	SPECIFICATION	PARTS NO.	SPECIFICATION
① SP-476	BOLT & NUT FOR JGH-90 (1PC EACH)		

120DX



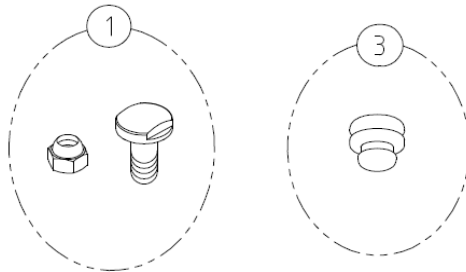
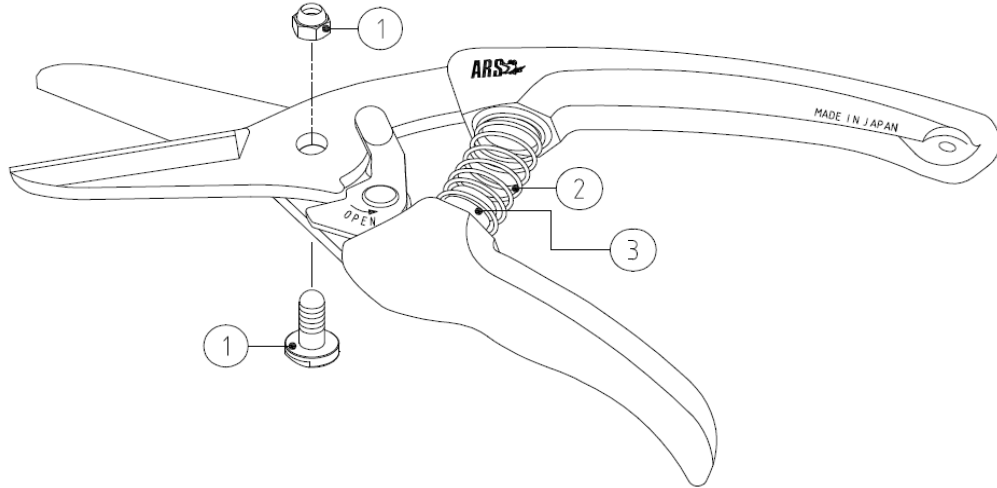
PARTS NO.	SPECIFICATION	PARTS NO.	SPECIFICATION
① SP-14	BOLT & NYLON NUT FOR 120/130/140/140L/DX/B,120EU/EU-R		
② SP-15	SPRING FOR 120DX/B		
③ SP-16	STEEL HOOK FOR 120DX/B & 140L-DX		

130DX



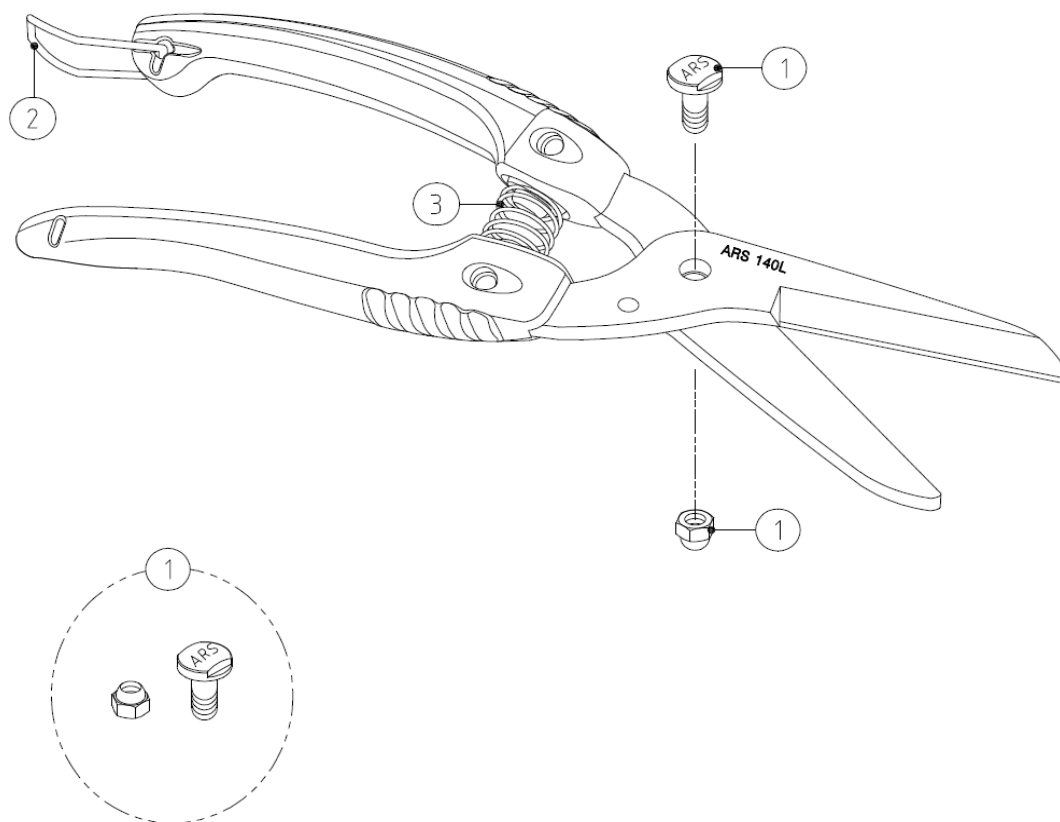
PARTS NO.	SPECIFICATION	PARTS NO.	SPECIFICATION
① SP-14	BOLT & NYLON NUT FOR 120/130/140/ 140L/DX/B,120EU/EU-R		
② SP-61	SPRING FOR 130DX, 140DX, 140L-DX, VS, & VS-X SERIES		
③ SP-70	SHOCK ABSORBER FOR 130/140/120EU SERIES (1PC)		

140DX



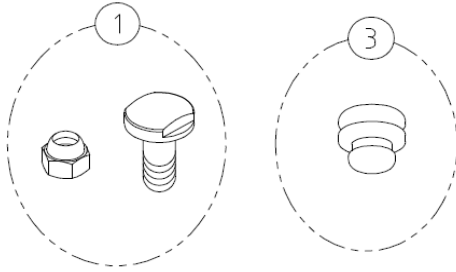
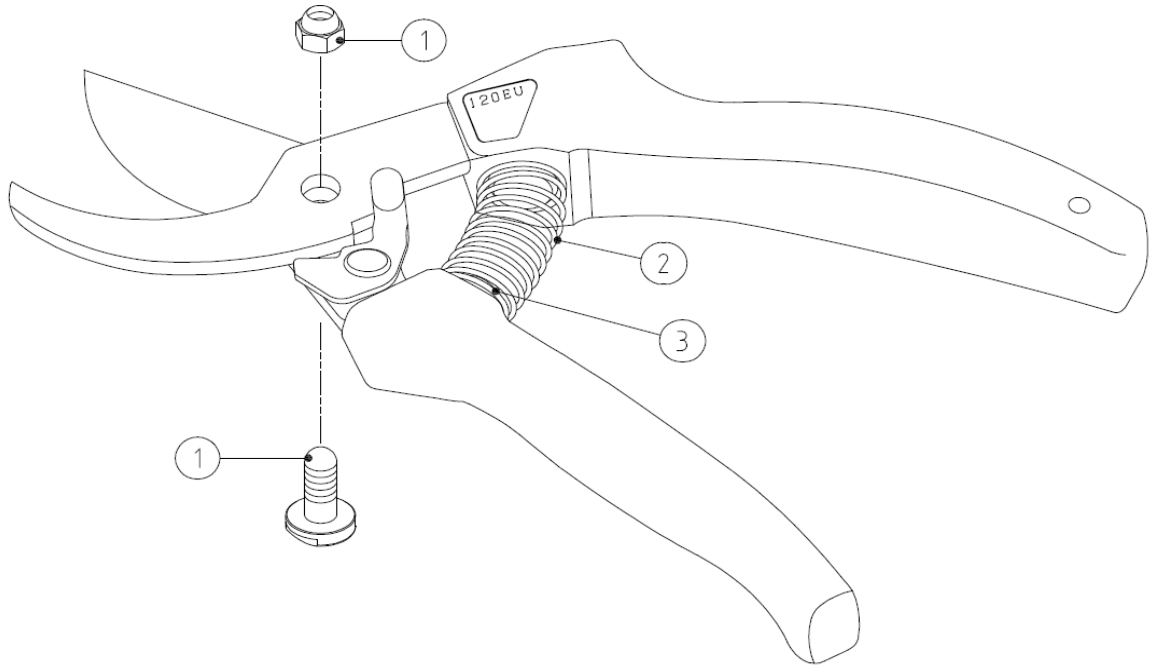
PARTS NO.	SPECIFICATION	PARTS NO.	SPECIFICATION
① SP-14	BOLT & NYLON NUT FOR 120/130/140/ 140L/DX/B,120EU/EU-R		
② SP-61	SPRING FOR 130DX, 140DX, 140L-DX, VS, & VS-X SERIES		
③ SP-70	SHOCK ABSORBER FOR 130/140/120EU SERIES (1PC)		

140L-DX



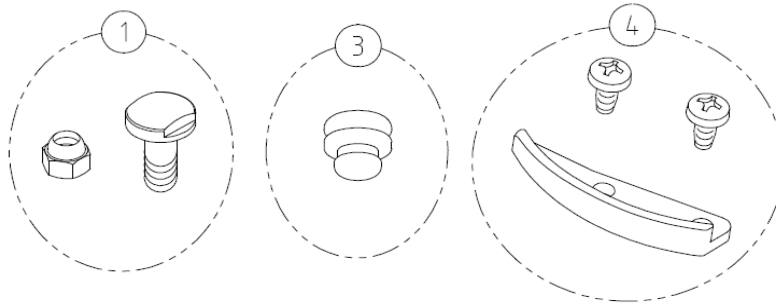
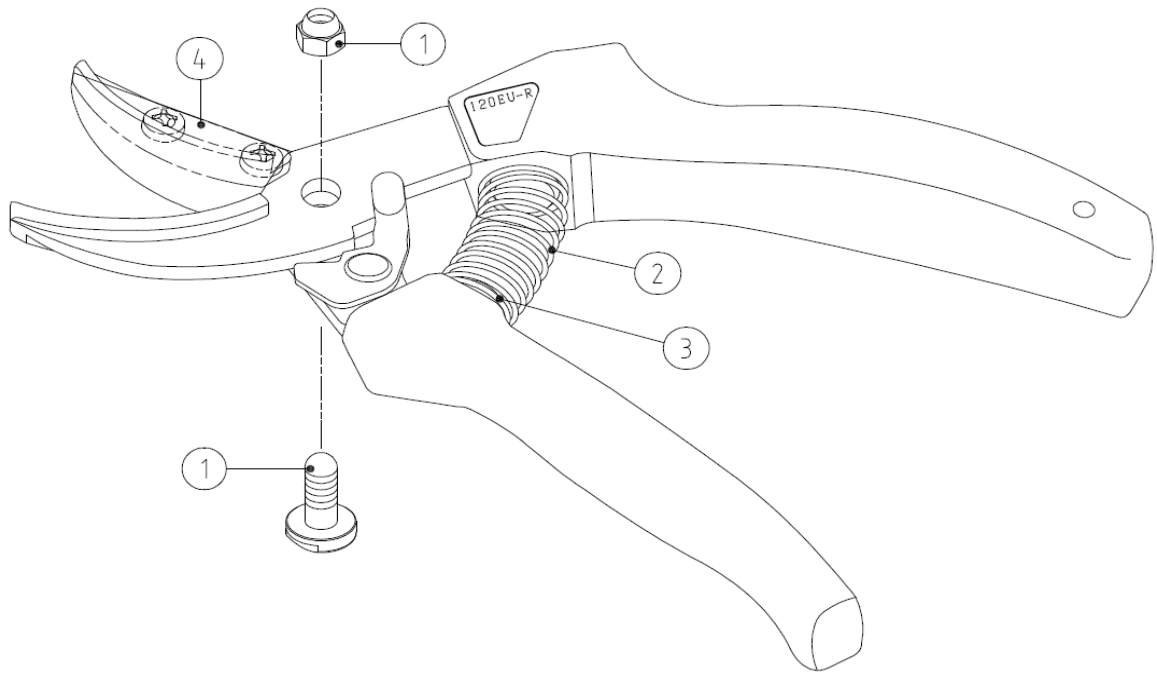
PARTS NO.	SPECIFICATION	PARTS NO.	SPECIFICATION
① SP-14	BOLT & NYLON NUT FOR 120/130/140/140L/DX/B, 120EU/EU-R		
② SP-16	STEEL HOOK FOR 120DX/B & 140L-DX		
③ SP-61	SPRING FOR 130DX, 140DX, 140L-DX, VS, & VS-X SERIES		

120EU



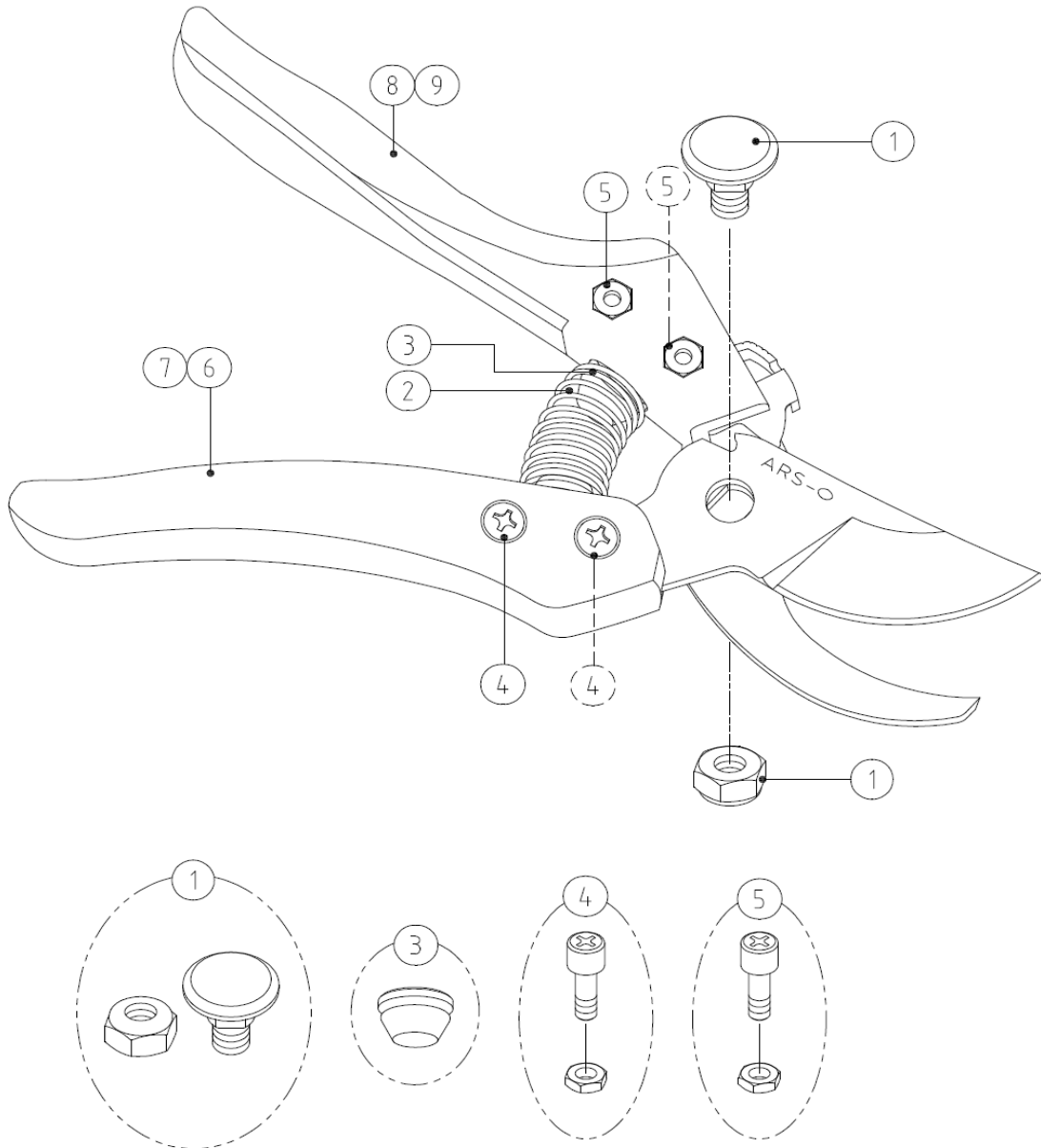
PARTS NO.	SPECIFICATION	PARTS NO.	SPECIFICATION
① SP-14	BOLT & NYLON NUT FOR 120/130/140/ 140L/DX/B,120EU/EU-R		
② SP-157	SPRING FOR 120EU/120EU-R		
③ SP-70	SHOCK ABSORBER FOR 130/140/120EU SERIES (1PC)		

120EU-R



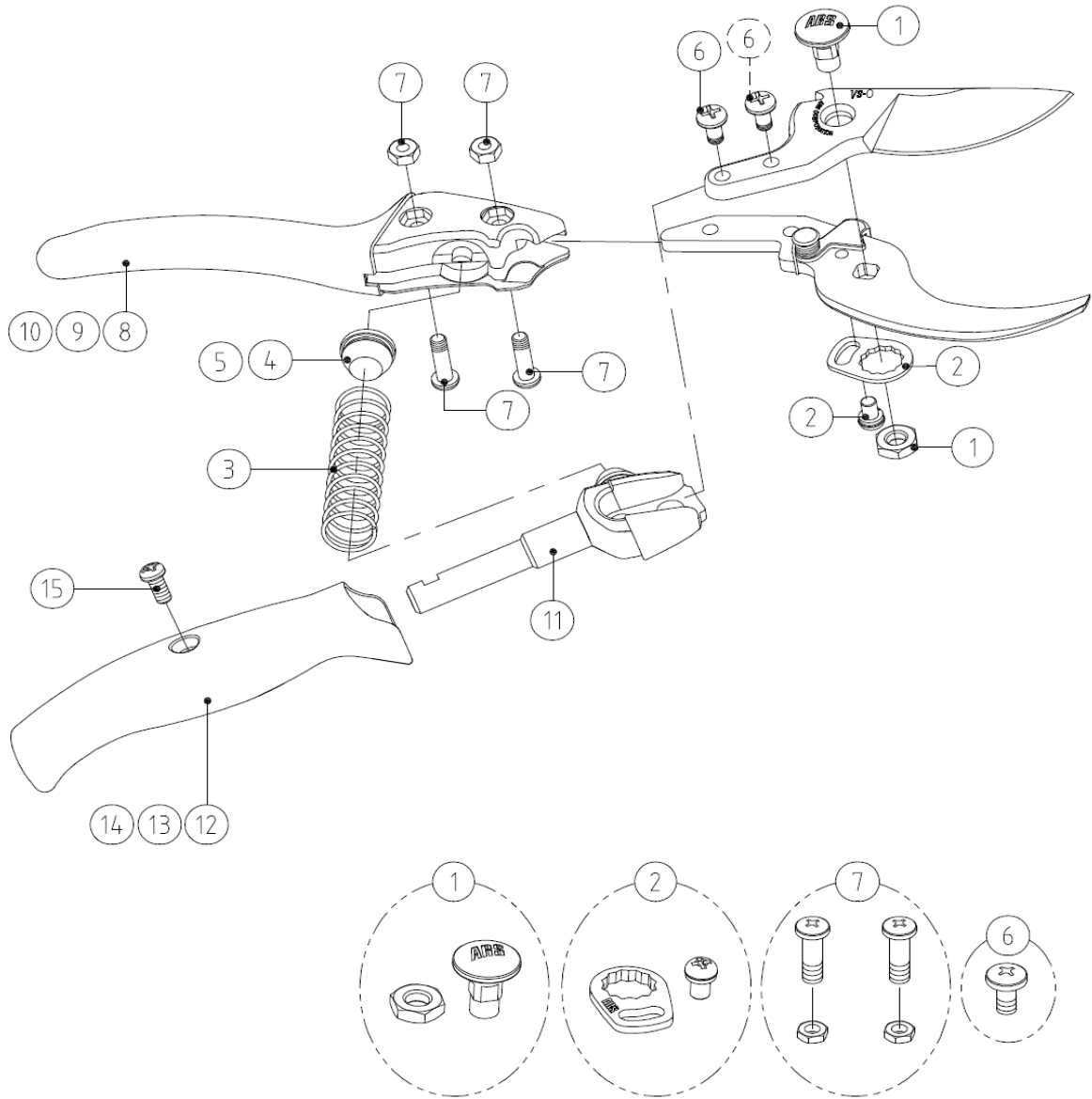
PARTS NO.	SPECIFICATION	PARTS NO.	SPECIFICATION
① SP-14	BOLT & NYLON NUT FOR 120/130/140/ 140L/DX/B,120EU/EU-R		
② SP-157	SPRING FOR 120EU/120EU-R		
③ SP-70	SHOCK ABSORBER FOR 130/140/120EU SERIES (1 PC)		
④ SP-322	HOLDING DEVICE WITH 2 SCREWS FOR CUTTING BLADE OF 120EU-R		

CB-8 / CB-9



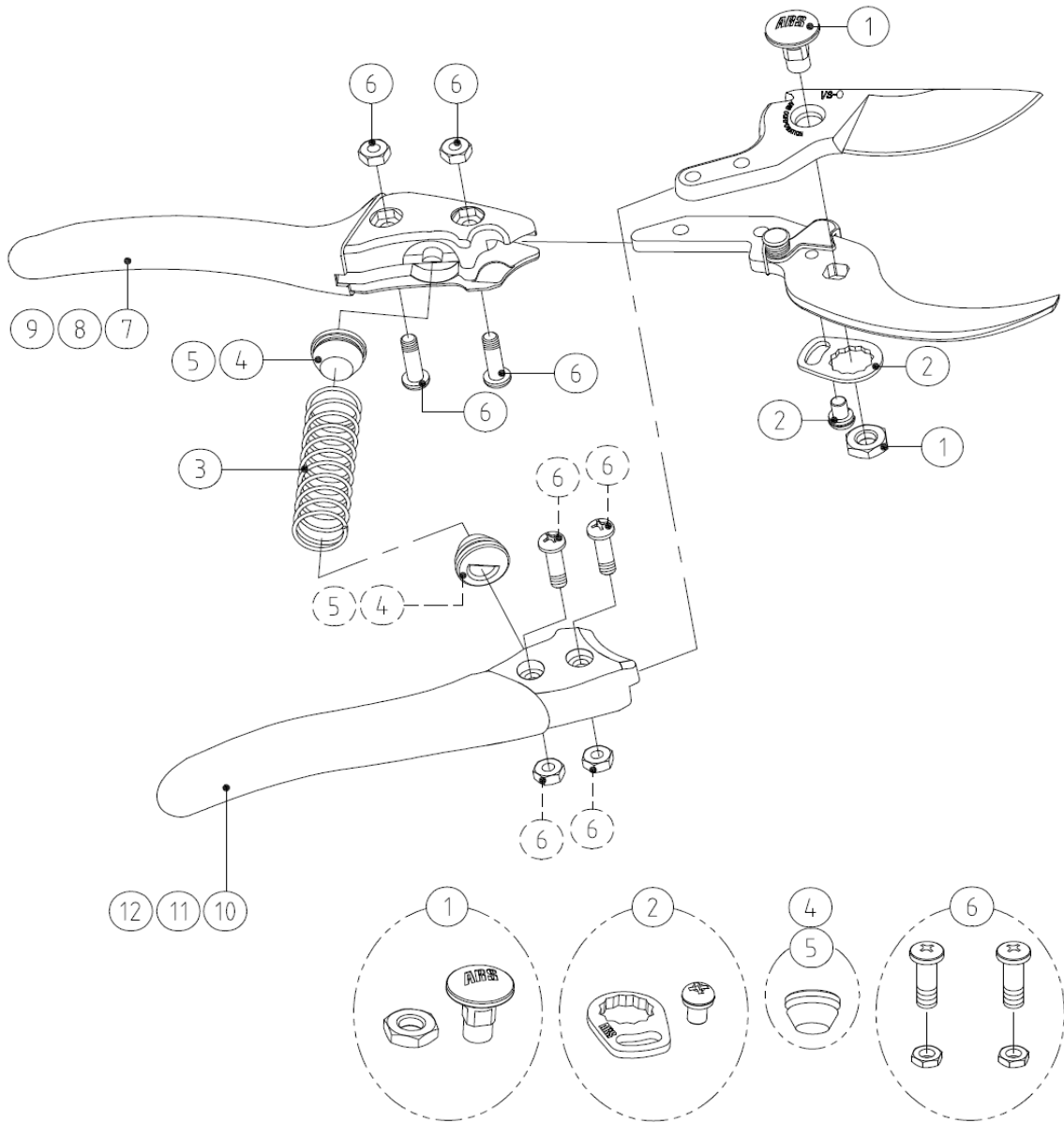
PARTS NO.	SPECIFICATION	PARTS NO.	SPECIFICATION
① SP-217	CENTER BOLT & NUT FOR CB-8/CB-9/ CBR-8/CBR-9		
② SP-218	SPRING FOR CB-8/CB-9/CBR-8/CBR-9		
③ SP-432	RUBBER CUSHION FOR VS-7R/7Z AND CB-8/9 (RED, 1PC)		
④ SP-220	BOLT & NUT FOR THE CUTTING BLADE GRIP FOR CB-8/9 (1PC EACH)		
⑤ SP-221	BOLT & NUT FOR THE COUNTER BLADE GRIP FOR CB-8/9 (1PC EACH)		
⑥ SP-313	CUTTING BLADE GRIP FOR CB-8		
⑦ SP-315	CUTTING BLADE GRIP FOR CB-9		
⑧ SP-314	COUNTER BLADE GRIP FOR CB/CBR-8		
⑨ SP-316	COUNTER BLADE GRIP FOR CB/CBR-9		

VS-7XR / VS-8XR / VS-9XR



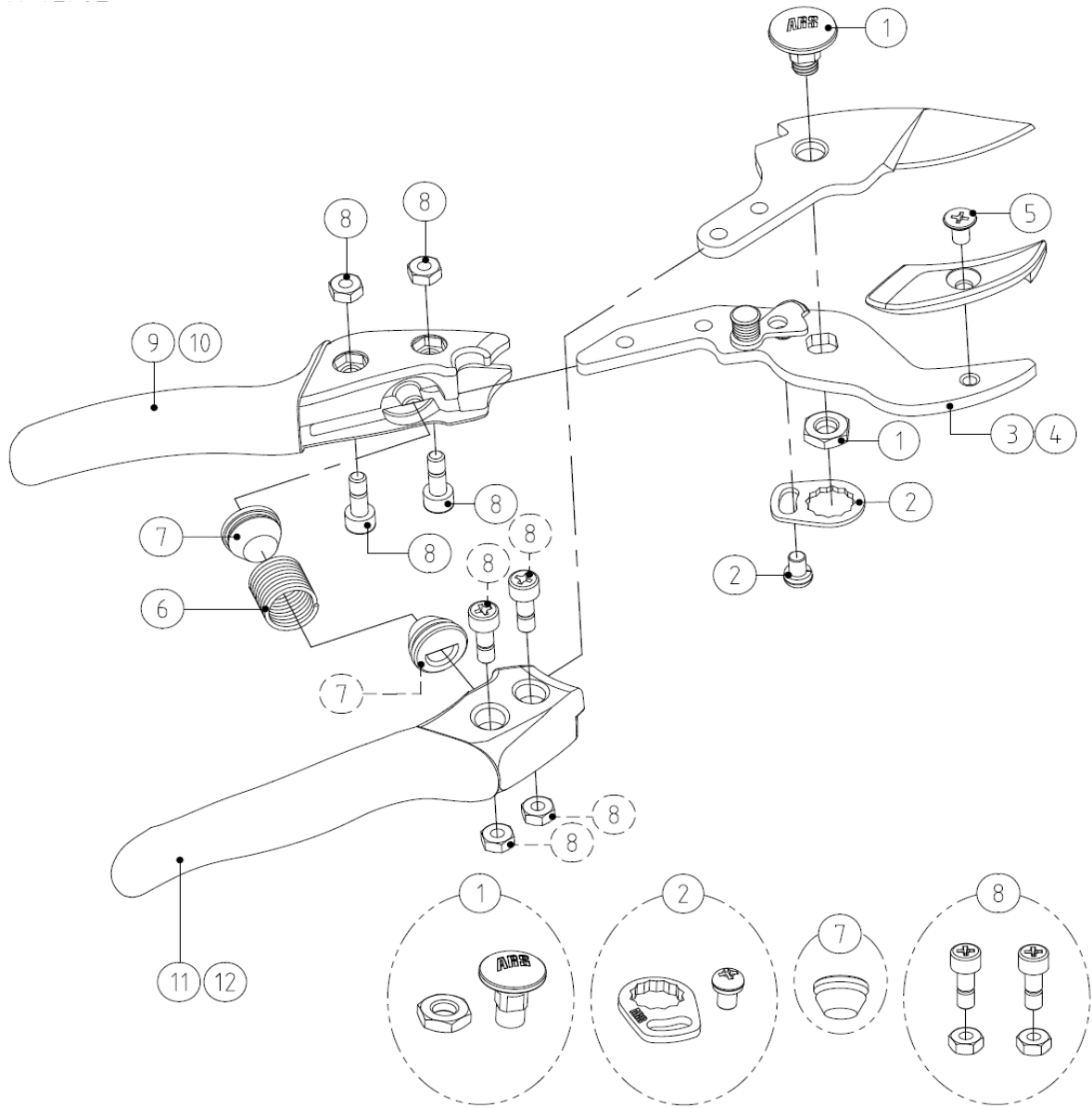
PARTS NO.	SPECIFICATION	PARTS NO.	SPECIFICATION
① SP-474	BOLT & NUT FOR VS-X SERIES	⑪ SP-398	AXLE (SHAFT) FOR ROTARY GRIP FOR VS-7R/8R/9R/7XR/8XR/9XR
② SP-475	SCREW RETAINER SET FOR VS-X & VA SERIES	⑫ SP-416	ROTARY GRIP FOR VS-7R/7XR
③ SP-61	SPRING FOR 130DX, 140DX, 140L-DX, VS, VS-X & VA SERIES	⑬ SP-397	ROTARY GRIP FOR VS-8R/8XR
④ SP-151	RUBBER CUSHION FOR VS-8/9/8X/9X SERIES (BLACK, 1 PC)	⑭ SP-403	ROTARY GRIP FOR VS-9R/9XR
⑤ SP-432	RUBBER CUSHION FOR VS-7R/7Z/7XR/7XZ, CB-8/9 & VA (RED, 1 PC)	⑮ SP-395	BOLT FOR ROLL GRIP OF VS-7R/8R/9R/7XR/8XR/9XR
⑥ SP-394	BLADE HOLDING BOLT FOR CUTTING BLADE OF VS-R/VS-XR SERIES (1 PC)		
⑦ SP-323	HANDLE SCREW & NUT FOR VS/VS-X SERIES (2PCS EACH)		
⑧ SP-415	COUNTER BLADE GRIP FOR VS-7Z/7R/7XZ/7XR		
⑨ SP-396	COUNTER BLADE GRIP FOR VS-8Z/8R/8XZ/8XR		
⑩ SP-402	COUNTER BLADE GRIP FOR VS-9Z/9R/9XZ/9XR		

VS-7XZ / VS-8XZ / VS-9XZ



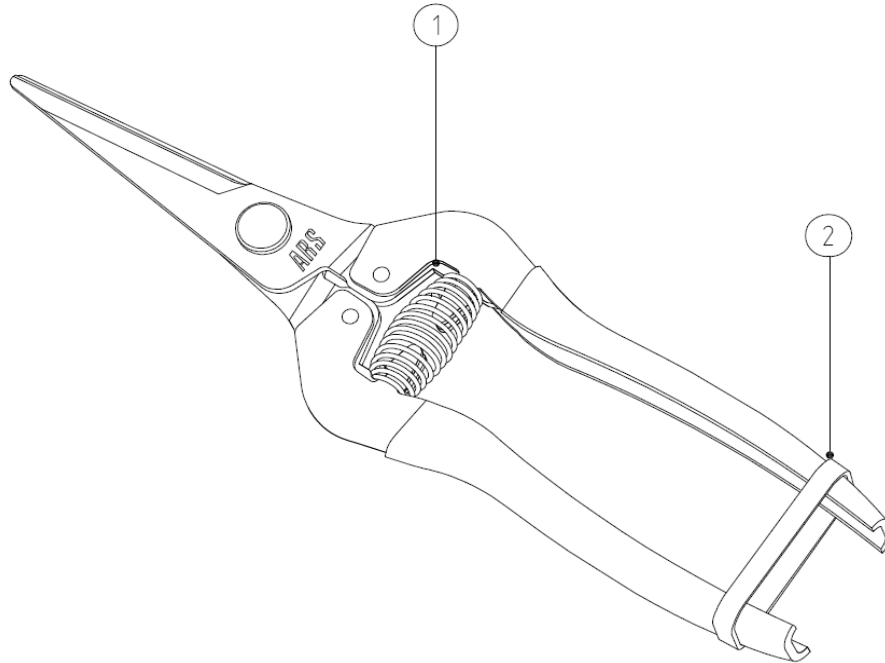
PARTS NO.	SPECIFICATION	PARTS NO.	SPECIFICATION
① SP-474	BOLT & NUT FOR VS-X SERIES		
② SP-475	SCREW RETAINER SET FOR VS-X & VA SERIES		
③ SP-61	SPRING FOR 130DX, 140DX, 140L-DX, VS, VS-X & VA SERIES		
④ SP-151	RUBBER CUSHION FOR VS-8/9/8X/9X SERIES (BLACK, 1 PC)		
⑤ SP-432	RUBBER CUSHION FOR VS-7R/7Z/7XR/7XZ, CB-8/9 & VA (RED, 1 PC)		
⑥ SP-323	HANDLE SCREW & NUT FOR VS/VX SERIES (2PCS EACH)		
⑦ SP-415	COUNTER BLADE GRIP FOR VS-7Z/7R/7XZ/7XR		
⑧ SP-396	COUNTER BLADE GRIP FOR VS-8Z/8R/8XZ/8XR		
⑨ SP-402	COUNTER BLADE GRIP FOR VS-9Z/9R/9XZ/9XR		
⑩ SP-417	CUTTING BLADE GRIP FOR VS-7Z/7XZ		
⑪ SP-401	CUTTING BLADE GRIP FOR VS-8Z/8XZ		
⑫ SP-404	CUTTING BLADE GRIP FOR VS-9Z/9XZ		

VA-7Z / VA-8Z



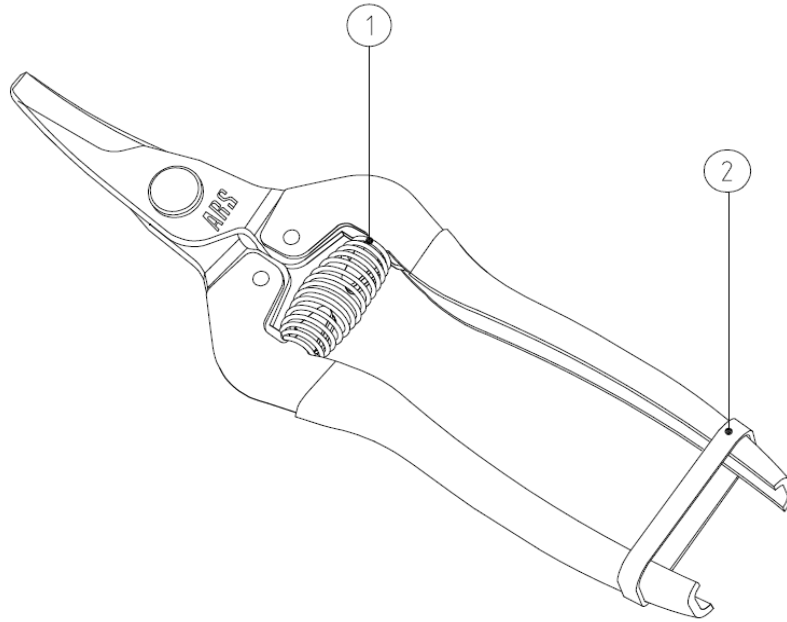
PARTS NO.	SPECIFICATION	PARTS NO.	SPECIFICATION
① SP-482	BOLT & NUT FOR VA SERIES		
② SP-475	SCREW RETAINER SET FOR VS-X & VA SERIES		
③ SP-483	ANVIL BASE WITH STOPPER, FOR VA-7Z		
④ SP-484	ANVIL BASE WITH STOPPER, FOR VA-8Z		
⑤ SP-485	SCREW FOR THE ANVIL		
⑥ SP-61	SPRING FOR 130DX, 140DX, 140L-DX, VS, VS-X & VA SERIES		
⑦ SP-432	RUBBER CUSHION FOR VS-7R/7Z/7XR/7XZ, CB-8/9 & VA (RED, 1PC)		
⑧ SP-486	GRIP SCREW & NUT FOR VA SERIES (2PCS EACH)		
⑨ SP-487	COUNTER BLADE GRIP FOR VA-7Z		
⑩ SP-489	COUNTER BLADE GRIP FOR VA-8Z		
⑪ SP-488	CUTTING BLADE GRIP FOR VA-7Z		
⑫ SP-490	CUTTING BLADE GRIP FOR VA-8Z		

300L / 300SS / 300L-DX



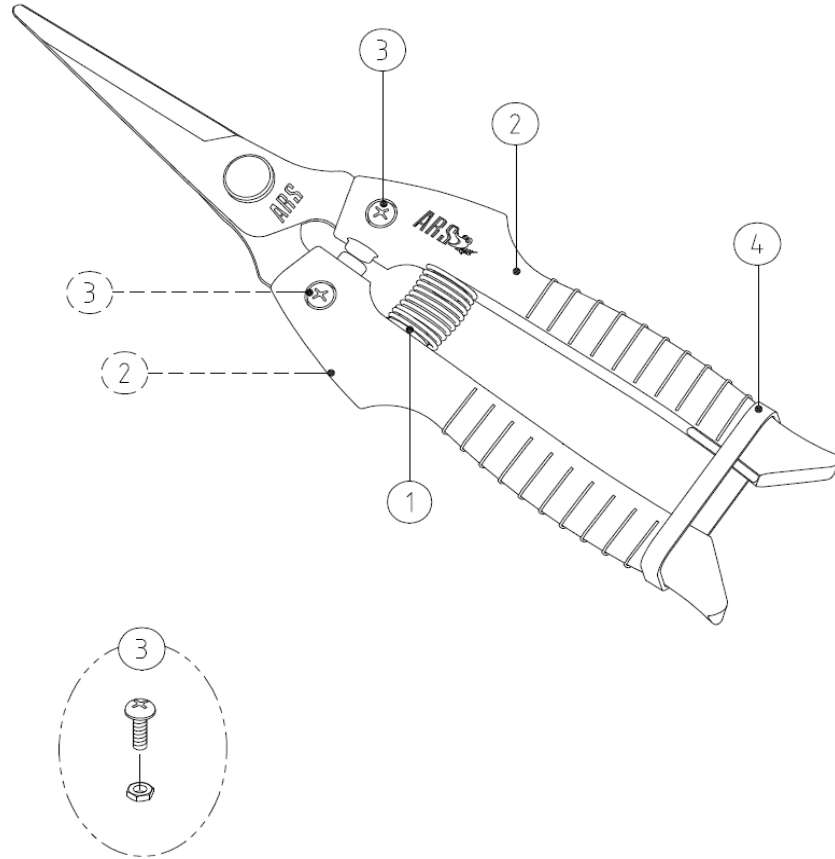
PARTS NO.	SPECIFICATION	PARTS NO.	SPECIFICATION
① SP-23	SPRING FOR 300L/SS, 310/-T/-D/DX		
② SP-161	STRAP FOR 310/DX/-D/-T,300L/SS,SE SERIES		

310DX / 310 / 310-T / 310-D



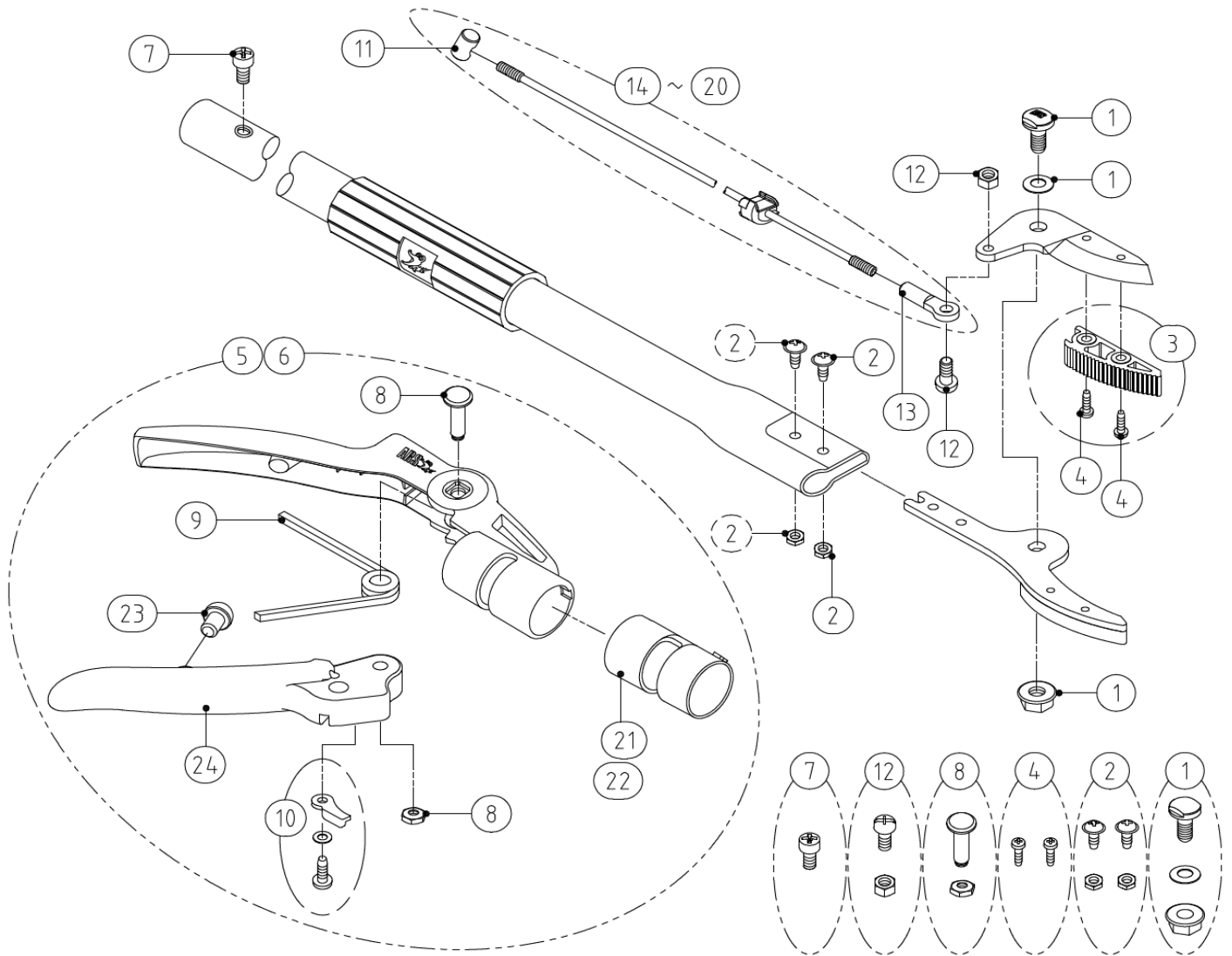
PARTS NO.	SPECIFICATION	PARTS NO.	SPECIFICATION
① SP-23	SPRING FOR 300L/SS, 310/-T/-D/DX		
② SP-161	STRAP FOR 310/DX/-D/-T,300L/SS,SE SERIES		

SE-45



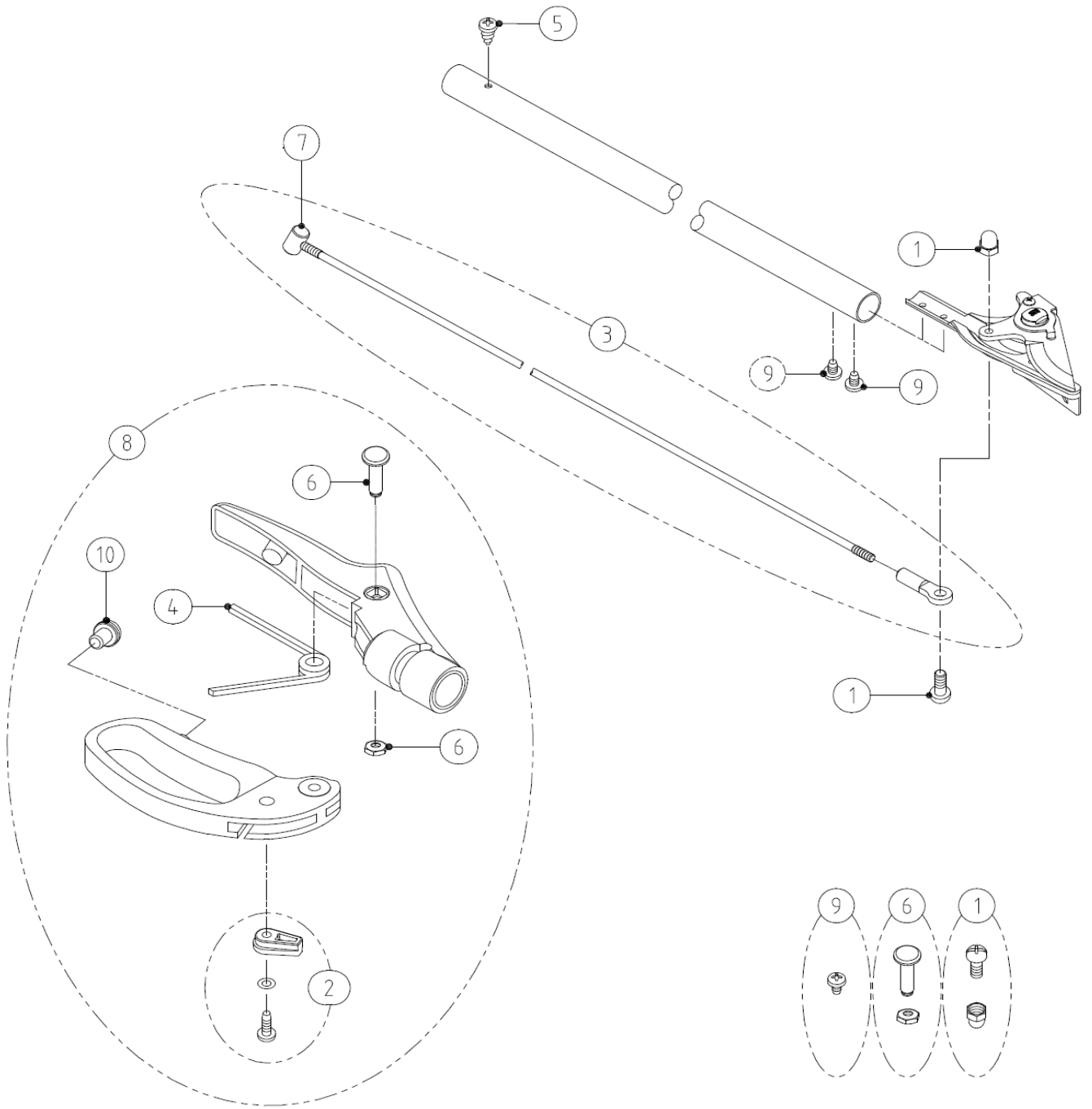
PARTS NO.	SPECIFICATION	PARTS NO.	SPECIFICATION
① SP-188	SPRING FOR SE-30/45/45B		
② SP-189	GRIP FOR SE-30/45/45B(1 SET)		
③ SP-190	SCREW & NUT FOR SE-30/45/45B/65 (1PC EACH)		
④ SP-161	STRAP FOR 310/DX/-D/-T,300L/SS,SE SERIES		

160-0.35 / 160-0.6 / 160-1.2 / 160-1.8 / 160-2.4 / 180-1.2 / 180-1.8 / 180-2.4



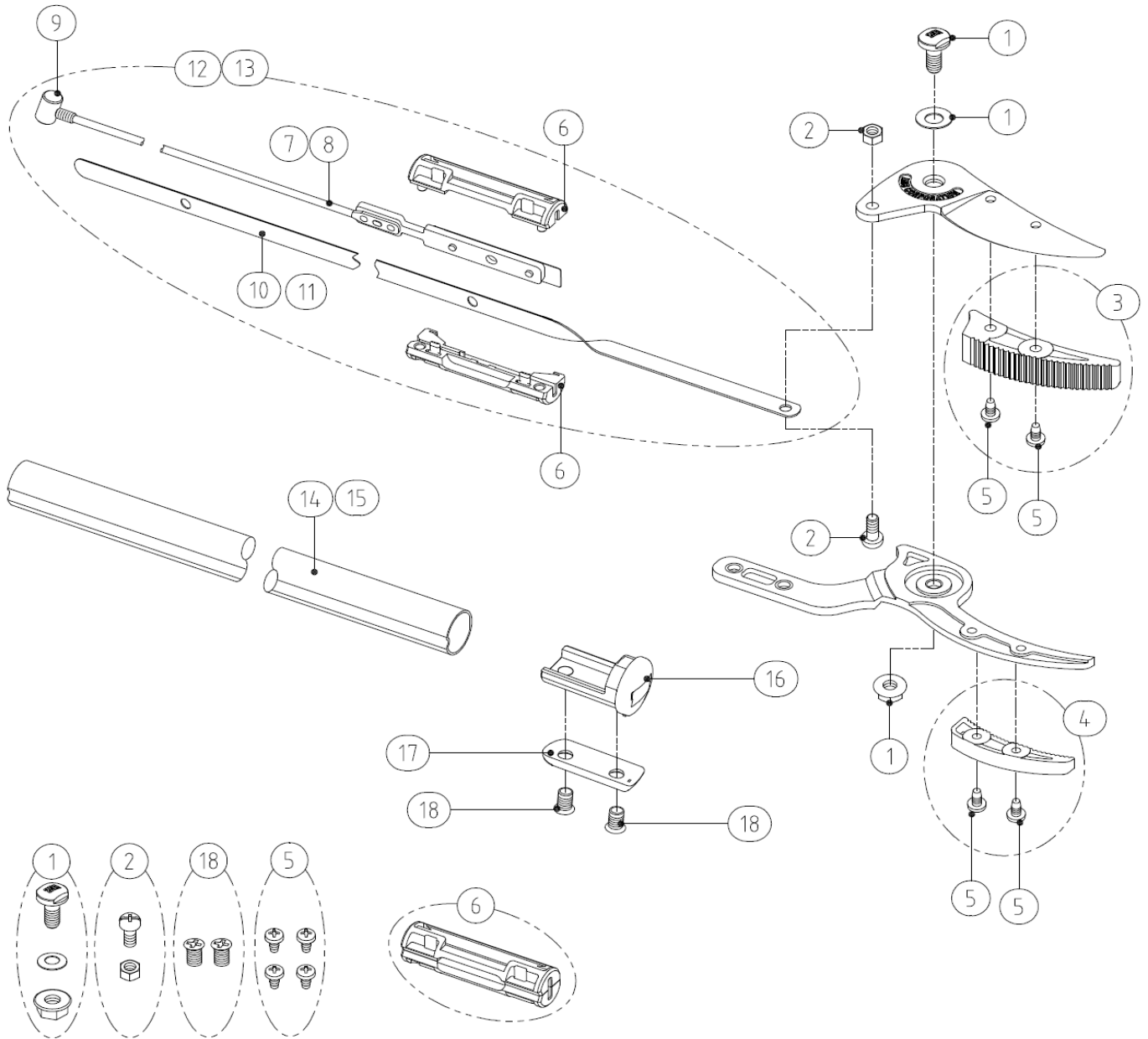
PARTS NO.	SPECIFICATION	PARTS NO.	SPECIFICATION
① SP-30	BOLT, WASHER & NUT FOR 160/180 SERIES	⑪ SP-43	ROD FIXING PART FOR LONG REACH PRUNER
② SP-31	SCREW & NUT FOR 160/180 SERIES (2PCS EACH)	⑫ SP-44	ROD FIXING BOLT & NUT FOR 150/160/180/ 190/ZF SERIES
③ SP-32	HOLDING DEVICE OF THE CUTTING BLADE WITH 2 SCREWS FOR 160 SERIES	⑬ SP-45	ROD CAP FOR LONG REACH PRUNER
④ SP-33	SCREW FOR 160 SERIES (2PCS)	⑭ SP-46	ROD SET FOR 160/180-1.8
⑤ SP-38-A	HANDLE SET FOR LONG REACH PRUNER, FOR 160-0.35/0.6/1.2/1.8	⑮ SP-48	ROD SET FOR 160/180-2.4
⑥ SP-38-B	HANDLE SET FOR LONG REACH PRUNER, FOR 160-1.8/2.4 & 180 SERIES	⑯ SP-81	ROD SET FOR 160-0.35
⑦ SP-452	STOP SCREW FOR THE HANDLE OF 180LR/ZF/160/180 SERIES	⑰ SP-82	ROD SET FOR 160-0.6
⑧ SP-40	SCREW & NUT FOR THE HANDLE OF LONG REACH PRUNER	⑱ SP-83	ROD SET FOR 160/180-1.2
⑨ SP-41	SPRING FOR LONG REACH PRUNER (INC ZR SERIES, 150-0.6) (1 PC)	⑲ SP-84	ROD SET FOR 160/180-2.1
⑩ SP-42	LATCH LOCK SET OF THE HANDLE FOR LONG REACH PRUNER	⑳ SP-153	ROD SET FOR 160-1.5
		㉑ SP-169	SLEEVE FOR THE GRIP OF 160-0.35/0.6/ 1.2/1.8 SERIES
		㉒ SP-168	SLEEVE FOR THE GRIP OF 160-2.1/2.4/ 180/190 SERIES
		㉓ SP-80	RUBBER CUSHION FOR THE HANDLE OF LONG REACH PRUNER
		㉔ SP-145	GRIP LEVER ONLY FOR 160/180/180L SERIES

150-0.6



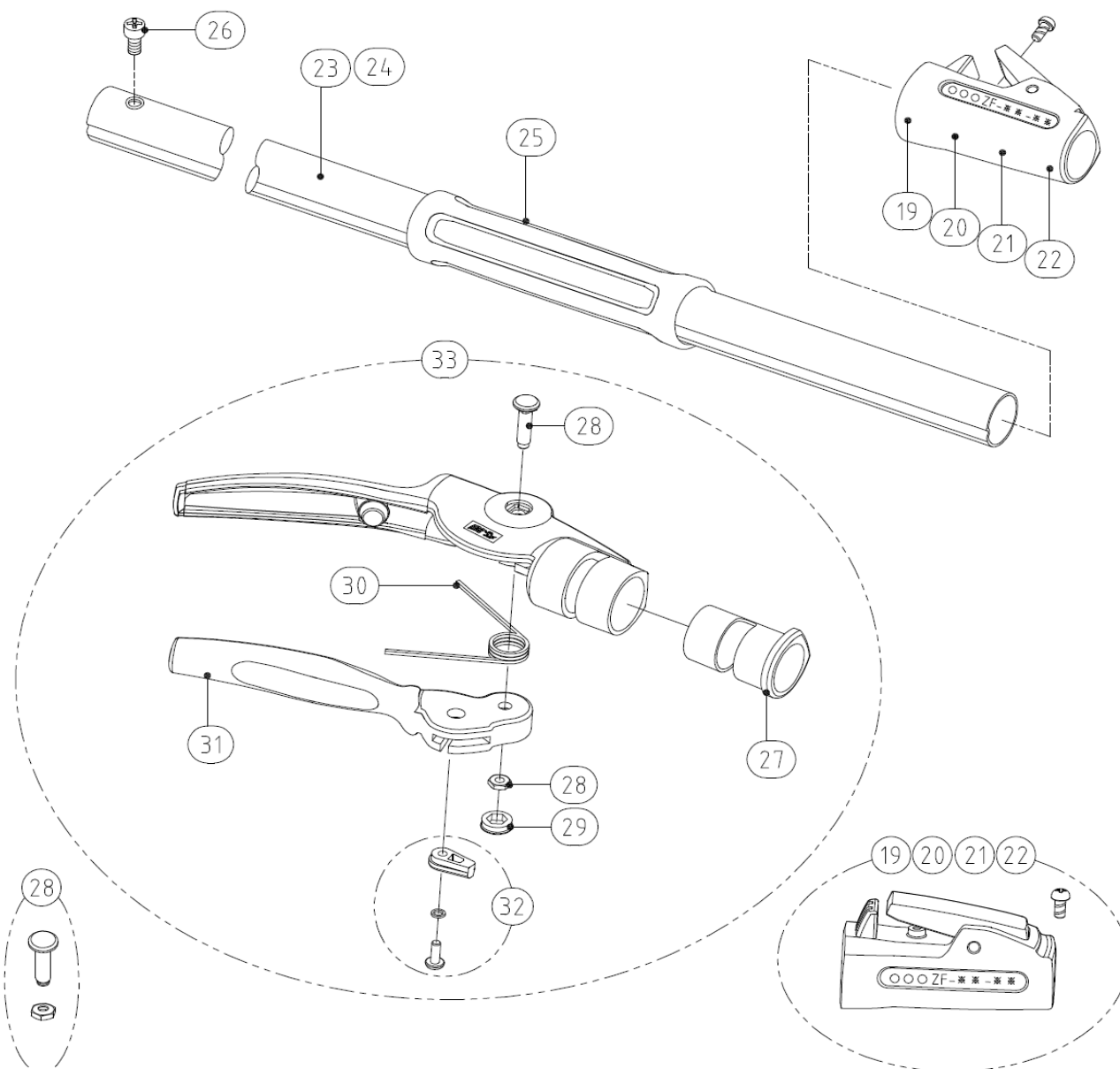
PARTS NO.	SPECIFICATION	PARTS NO.	SPECIFICATION
① SP-44	ROD FIXING BOLT & NUT FOR 150/160/ 180/190/ZF SERIES	⑩ SP-80	RUBBER CUSHION FOR THE HANDLE OF LONG REACH PRUNER
② SP-175	LATCH LOCK SET FOR THE HANDLE OF 150-0.6		
③ SP-125	ROD SET FOR 150-0.6		
④ SP-41	SPRING FOR LONG REACH PRUNER (INC ZR SERIES,150-0.6) (1 PC)		
⑤ SP-473	STOP SCREW FOR 150-0.6		
⑥ SP-40	SCREW & NUT FOR THE HANDLE OF LONG REACH PRUNER		
⑦ SP-43	ROD FIXING PART FOR LONG REACH PRUNER		
⑧ SP-123	HANDLE SET FOR 150-0.6		
⑨ SP-174	SCREW TO ATTACH CUTTING HEAD FOR 150-0.6 (1PC)		

160ZF-2.0-3 / 160ZF-3.0-5 / 180ZF-2.0-3 / 180ZF-3.0-5



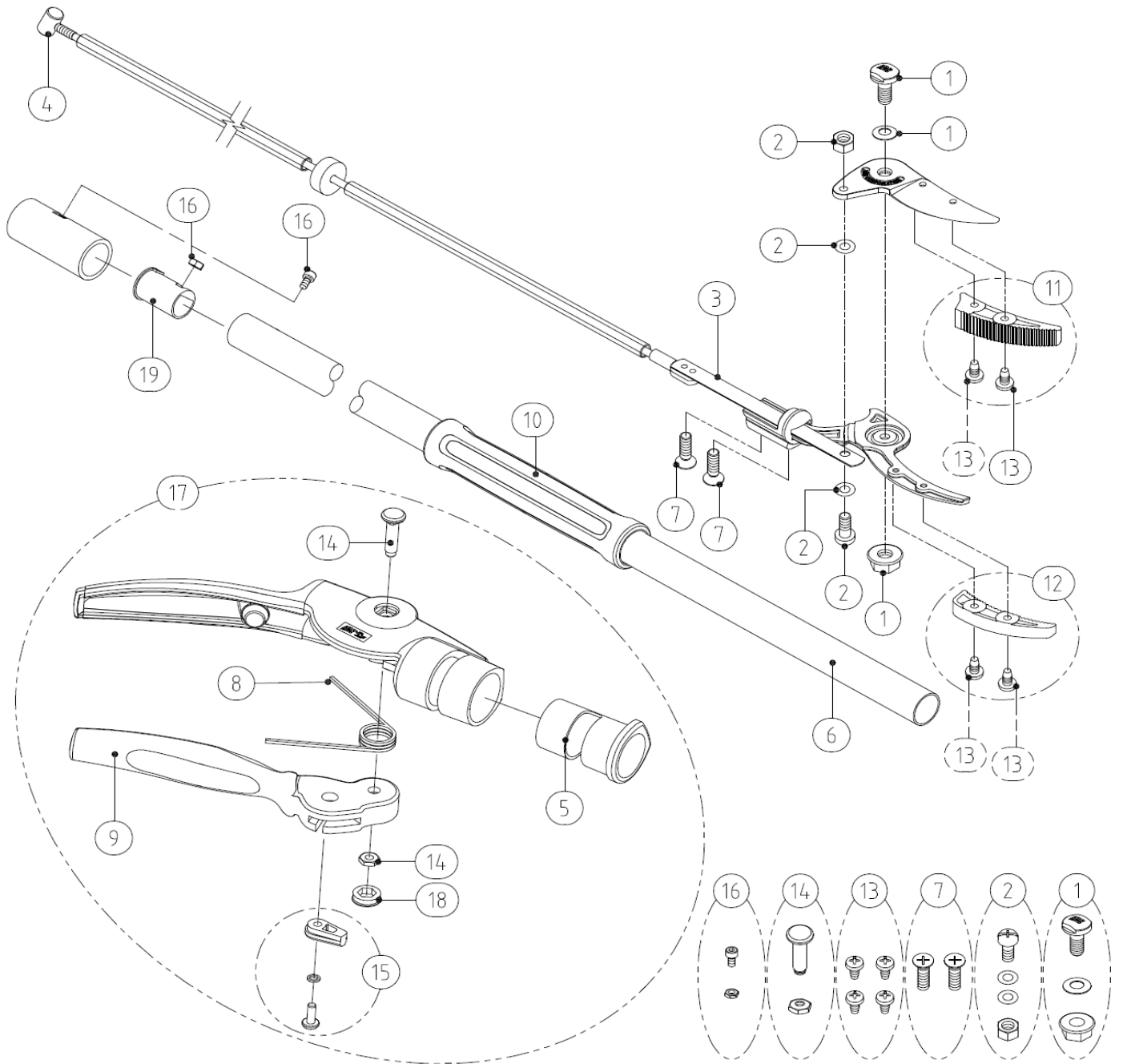
PARTS NO.	SPECIFICATION	PARTS NO.	SPECIFICATION
① SP-334	BOLT,WASHER & NUT FOR ZR/ZF SERIES	⑫ HP-ZF-2.0-3	STEEL BAND SET FOR ZF-2.0-3
② SP-44	ROD FIXING BOLT & NUT FOR 150/160/180/190/ZF SERIES	⑬ HP-ZF-3.0-5	STEEL BAND SET FOR ZF-3.0-5
③ SP-351	HOLDING DEVICE FOR THE CUTTING BLADE WITH 2 SCREW FOR 160ZR/ZF	⑭ SP-463	UPPER PIPE FOR 160/180ZF-2.0-3
④ SP-352	HOLDING DEVICE FOR THE COUNTER BLADE WITH 2 SCREW FOR 160ZR/ZF	⑮ SP-464	UPPER PIPE FOR 160/180ZF-3.0-5
⑤ SP-353	SCREWS FOR HOLDING DEVICE OF 160ZR/ZF/160R-1.8 (4PCS)	⑯ SP-465	BLADE FIXING PART FOR ZF SERIES
⑥ SP-335	INNER CASE FOR ZR/ZF SERIES	⑰ SP-466	WASHER PLATE FOR BLADE FIXING PART OF ZF SERIES
⑦ SP-459	ROD ONLY, FOR 160/180ZF-2.0-3	⑱ SP-399	SCREW FOR THE BLADE FIXING PART OF 160R/180R/ZF SERIES (2PCS)
⑧ SP-460	ROD ONLY, FOR 160/180ZF-3.0-5		
⑨ SP-338	ROD FIXING PART FOR ZR/ZF/160R/180R/180LR SERIES		
⑩ SP-461	STEEL BAND ONLY, FOR 160/180ZF-2.0-3		
⑪ SP-462	STEEL BAND ONLY, FOR 160/180ZF-3.0-5		

160ZF-2.0-3 / 160ZF-3.0-5 / 180ZF-2.0-3 / 180ZF-3.0-5



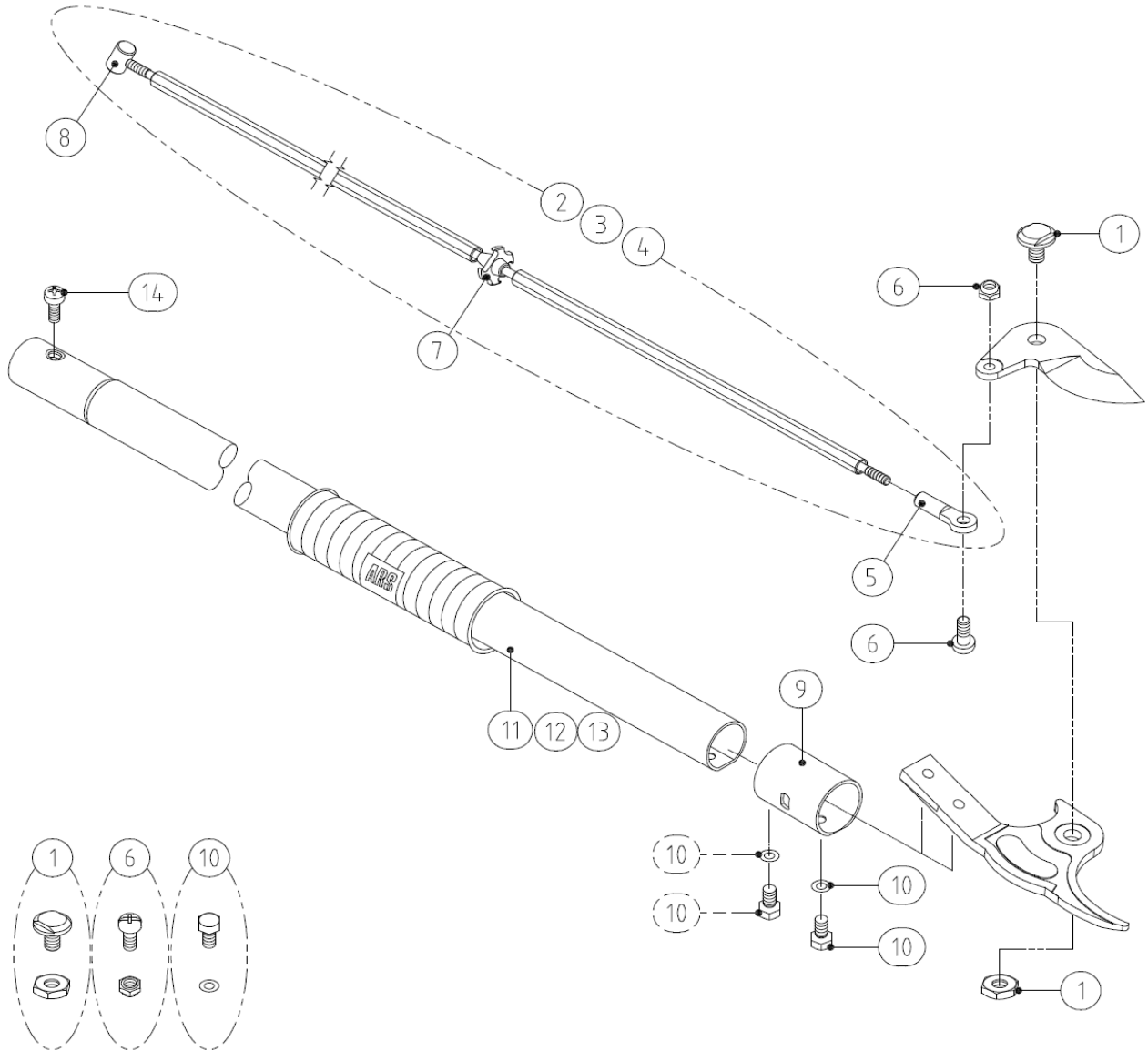
PARTS NO.	SPECIFICATION	PARTS NO.	SPECIFICATION
⑱ SP-467	JOINT CASE SET FOR 160ZF-2.0-3	⑳ SP-349	GRIP LEVER ONLY, FOR ZR/ZF/160R/180R/ 180LR SERIES
㉑ SP-468	JOINT CASE SET FOR 160ZF-3.0-5	㉒ SP-380	HANDLE LATCH LOCK SET FOR ZR/ZF/160R/ 180R/180LR SERIES (BLACK)
㉓ SP-469	JOINT CASE SET FOR 180ZF-2.0-3	㉓ SP-348	GRIP SET FOR ZR/ZF/160R/180R/180LR SERIES
㉔ SP-470	JOINT CASE SET FOR 180ZF-3.0-5		
㉕ SP-471	LOWER PIPE ONLY, FOR 160/180ZF-2.0-3		
㉖ SP-472	LOWER PIPE ONLY, FOR 160/180ZF-3.0-5		
㉗ SP-350	MIDDLE GRIP FOR ZR/ZF/160R/180R		
㉘ SP-452	STOP SCREW FOR THE HANDLE OF 180LR/ZF SERIES		
㉙ SP-339	SLEEVE FOR THE GRIP OF ZR/ZF/160R/180R/ 180LR SERIES		
㉚ SP-379	CENTER BOLT & NUT FOR GRIP OF ZR/ZF/ 160R/180R/180LR SERIES		
㉛ SP-414	NUT CAP FOR THE HANDLE OF ZR/ZF/160R/ 180R/180LR SERIES		
㉜ SP-41	SPRING FOR LONG REACH PRUNER (INC ZR SERIES,150-0.6) (1 PC)		

160R-1.8 / 180R-1.8



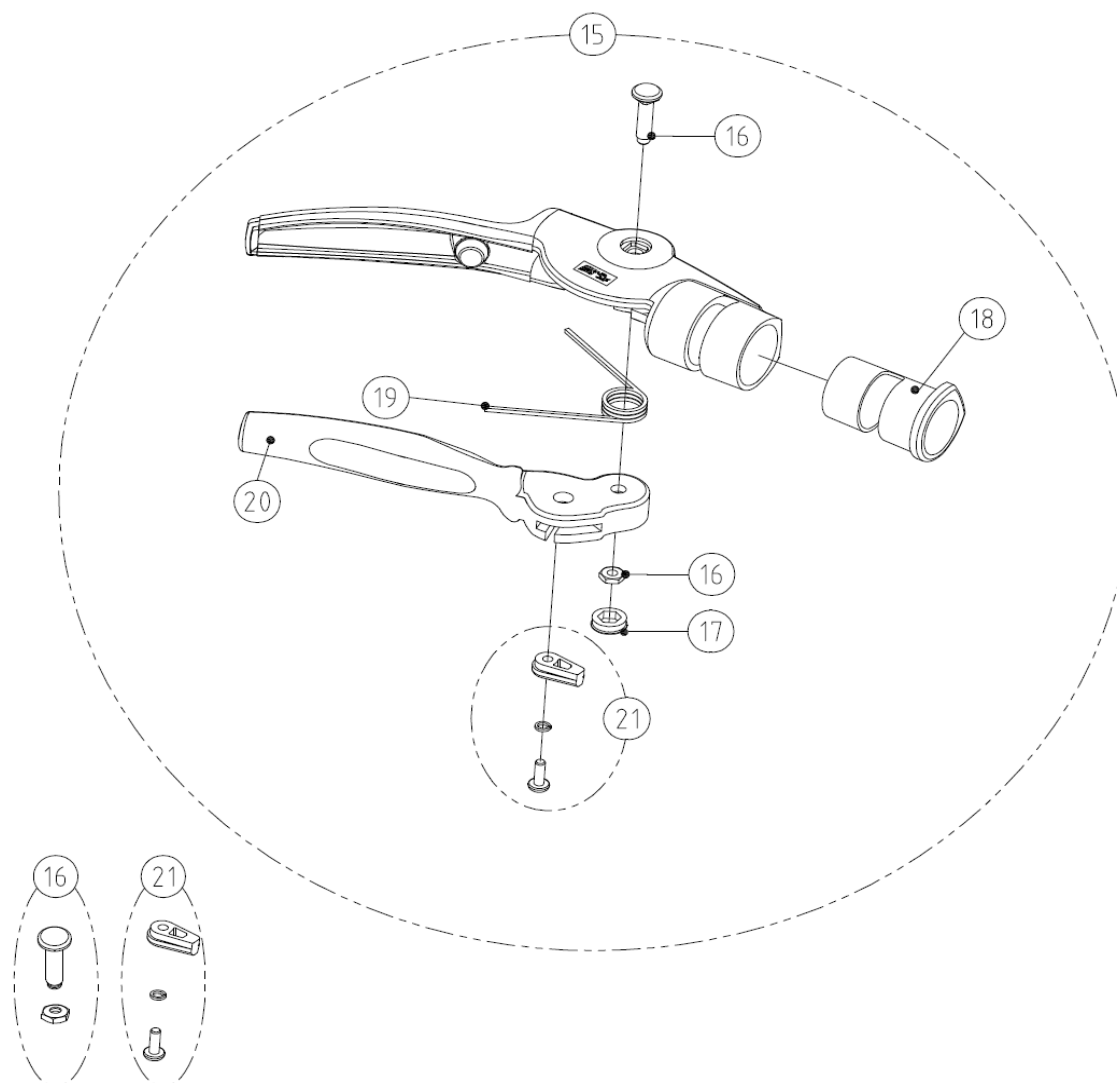
PARTS NO.	SPECIFICATION	PARTS NO.	SPECIFICATION
① SP-334	BOLT, WASHER & NUT FOR ZR/ZF SERIES	⑪ SP-351	HOLDING DEVICE FOR THE CUTTING BLADE WITH 2 SCREW FOR 160ZR/ZF
② SP-74	SCREW, NUT & 2 WASHERS FOR THE HOOP OF ZR SERIES/160R-1.8/180R-1.8	⑫ SP-352	HOLDING DEVICE FOR THE COUNTER BLADE WITH 2 SCREW FOR 160ZR/ZF
③ SP-392	ROD FOR 160R/180R-1.8	⑬ SP-353	SCREWS FOR HOLDING DEVICE OF 160ZR/ZF 160R-1.8 (4PCS)
④ SP-338	ROD FIXING PART FOR ZR/ZF/160R/180R SERIES	⑭ SP-379	CENTER BOLT & NUT FOR GRIP OF ZR/ZF/160R/180R/180LR SERIES
⑤ SP-339	SLEEVE FOR THE GRIP OF ZR/ZF/160R/180R SERIES	⑮ SP-380	HANDLE LATCH LOCK SET FOR ZR/ZF/160R/180R/180LR SERIES (BLACK)
⑥ SP-393	PIPE FOR 160R/180R-1.8	⑯ SP-400	STOP SCREW & NUT FOR 160R/180R
⑦ SP-399	SCREW TO ATTACHED CUTTING BLADE FOR 160R/180R/ZF (2PCS)	⑰ SP-348	GRIP SET FOR ZR/ZF/160R/180R/180LR SERIES
⑧ SP-41	SPRING FOR LONG REACH PRUNER (INC ZR SERIES, 150-0.6) (1 PC)	⑱ SP-414	NUT CAP FOR THE HANDLE OF ZR/ZF/160R/180R/180LR SERIES
⑨ SP-349	GRIP LEVER ONLY FOR ZR/ZF/160R/180R SERIES	⑲ SP-418	SLEEVE FOR STOP SCREW & NUT OF 160R/180R-1.8
⑩ SP-350	MIDDLE GRIP FOR ZR/ZF/160R/180R		

180LR-1.2/1.8/2.1



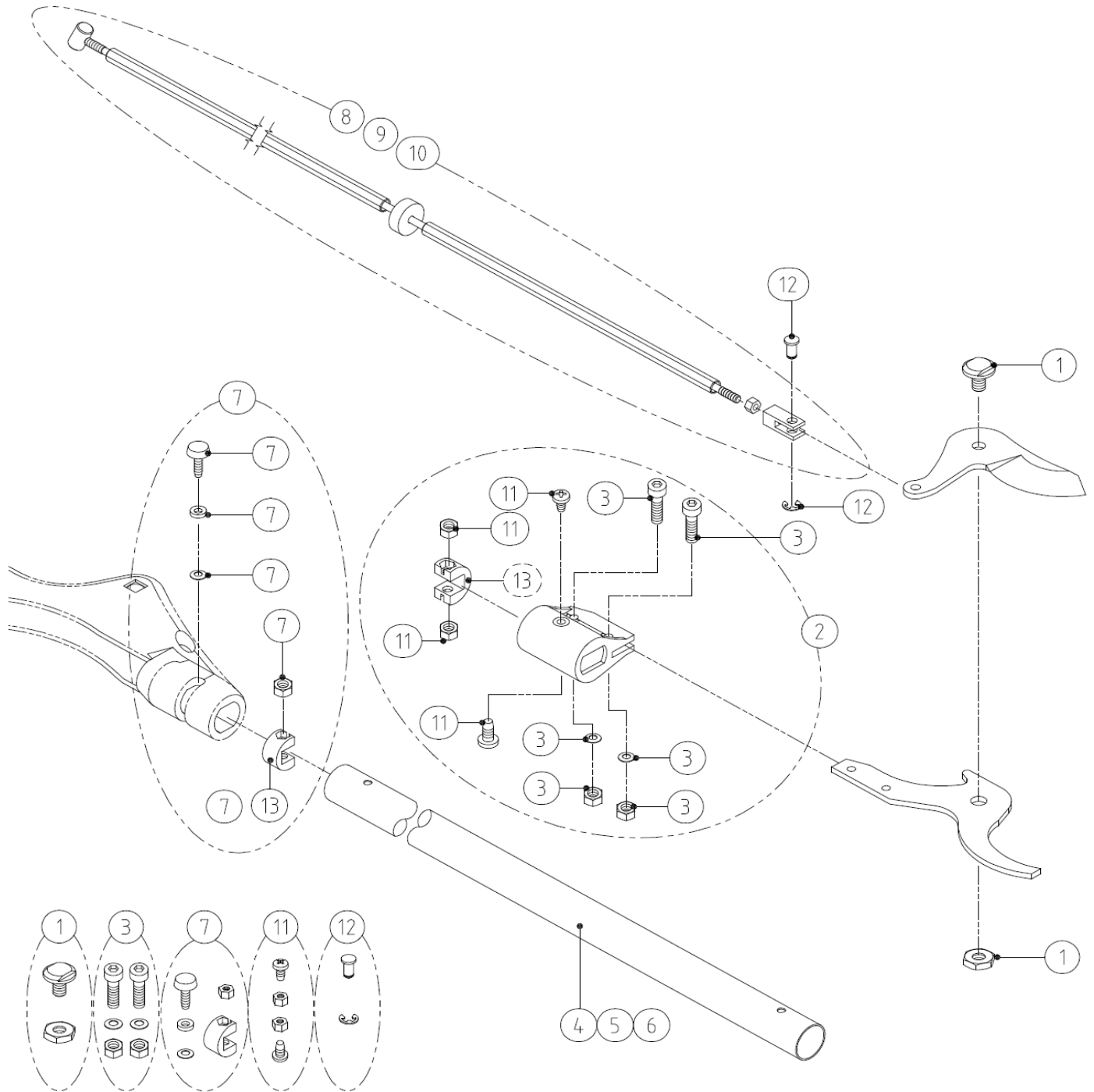
PARTS NO.	SPECIFICATION	PARTS NO.	SPECIFICATION
①	SP-216 BOLT & NUT FOR 180L/LR SERIES		
②	SP-446 ROD SET FOR 180LR-1.2		
③	SP-447 ROD SET FOR 180LR-1.8		
④	SP-448 ROD SET FOR 180LR-2.1		
⑤	SP-264 ROD CAP FOR 180L/LR SERIES		
⑥	SP-259 ROD FIXING BOLT & NUT FOR 180L/LR SERIES		
⑦	SP-235 ROD HOLDING DISK FOR 180L/LR SERIES		
⑧	SP-338 ROD FIXING PART FOR ZR/ZF/160R/180R/ 180LR SERIES		
⑨	SP-435 BLADE FIXING COLLAR FOR 180L/LR SERIES		
⑩	SP-239 BLADE HOLDING BOLT & WASHER FOR 180L/ LR SERIES (1 PC EACH)		
⑪	SP-449 PIPE FOR 180LR-1.2 WITH MIDDLE GRIP		
⑫	SP-450 PIPE FOR 180LR-1.8 WITH MIDDLE GRIP		
⑬	SP-451 PIPE FOR 180LR-2.1 WITH MIDDLE GRIP		
⑭	SP-452 STOP SCREW FOR THE HANDLE OF 180LR SERIES		

180LR-1.2/1.8/2.1



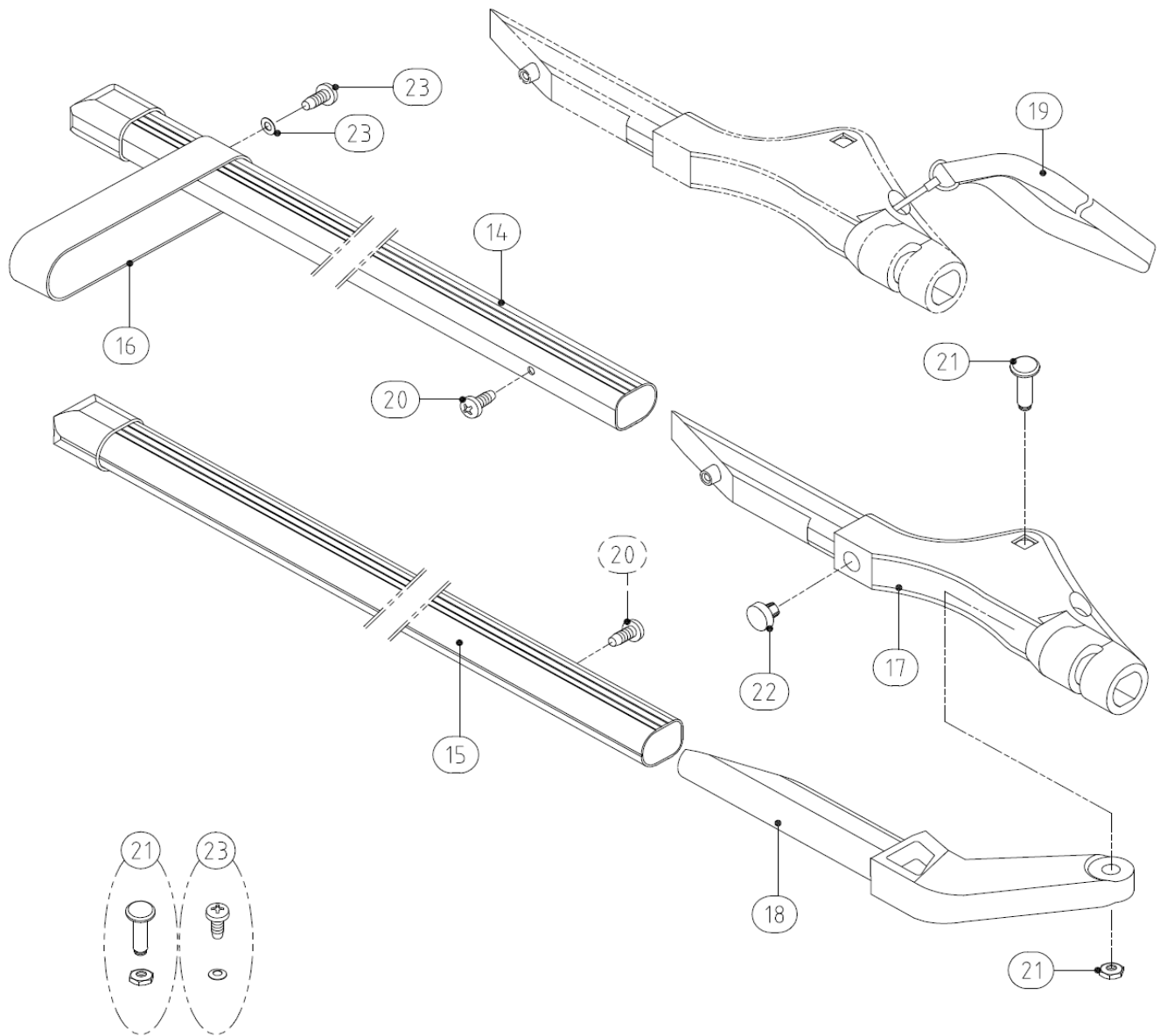
PARTS NO.	SPECIFICATION	PARTS NO.	SPECIFICATION
⑮	SP-348 GRIP SET FOR ZR/ZF/160R/180R/180LR SERIES		
⑯	SP-379 CENTER BOLT & NUT FOR GRIP OF ZR/ZF/160R/180R/180LR SERIES		
⑰	SP-414 NUT CAP FOR THE HANDLE OF ZR/ZF/160R/180R/180LR SERIES		
⑱	SP-339 SLEEVE FOR THE GRIP OF ZR/ZF/160R/180R/180LR SERIES		
⑲	SP-41 SPRING FOR LONG REACH PRUNER (INC ZR SERIES,150-0.6) (1 PC)		
⑳	SP-349 GRIP LEVER ONLY FOR ZR/ZF/160R/180R/180LR SERIES		
㉑	SP-380 HANDLE LATCH LOCK SET FOR ZR/ZF/160R/180R/180LR SERIES (BLACK)		

185-1.2 / 185-1.5 / 185-1.8



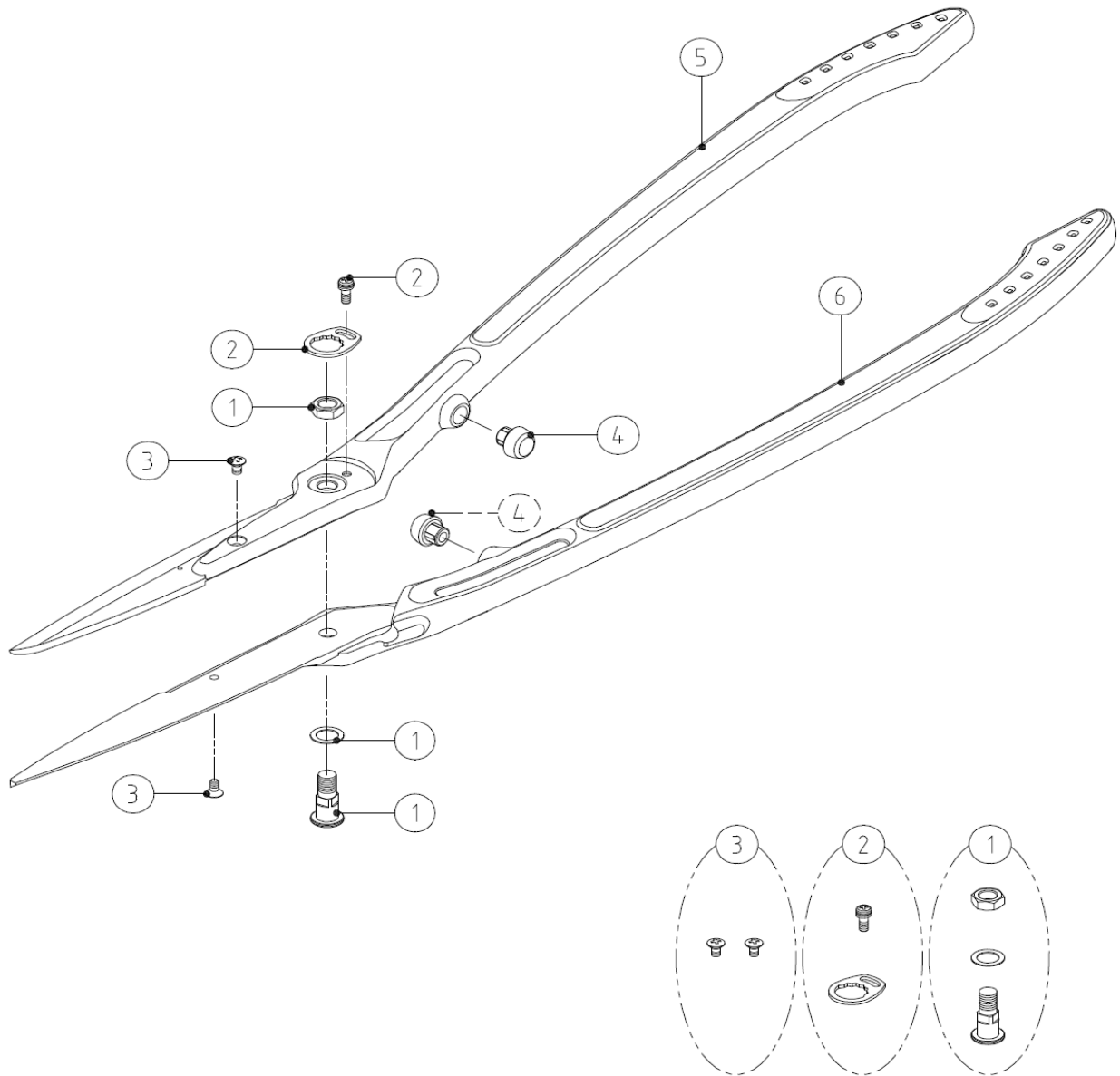
PARTS NO.	SPECIFICATION	PARTS NO.	SPECIFICATION
①	SP-205 BOLT & NUT FOR 185-1.2/185-1.5/185-1.8	⑪	SP-240 BOLT & NUT FOR FITTING PARTS SET FOR 185 SERIES (2PCS EACH)
②	SP-206 FITTING PARTS SET FOR 185-1.2/185-1.5/185-1.8	⑫	SP-163 ROD FIXING PIN & STOPPER FOR 185 SERIES
③	SP-207 CAP BOLT, NUT & WASHER FOR 185-1.2/185-1.5/185-1.8 (2PCS EACH)	⑬	SP-412 ROD GUIDE FOR 185 SERIES (1PC)
④	SP-208 PIPE FOR 185-1.2		
⑤	SP-209 PIPE FOR 185-1.5		
⑥	SP-210 PIPE FOR 185-1.8		
⑦	SP-213 BOLT, NUT, TUBE, WASHER & ROD GUIDE FOR 185 SERIES		
⑧	SP-230 ROD SET FOR 185-1.2		
⑨	SP-231 ROD SET FOR 185-1.5		
⑩	SP-232 ROD SET FOR 185-1.8		

185-1.2 / 185-1.5 / 185-1.8



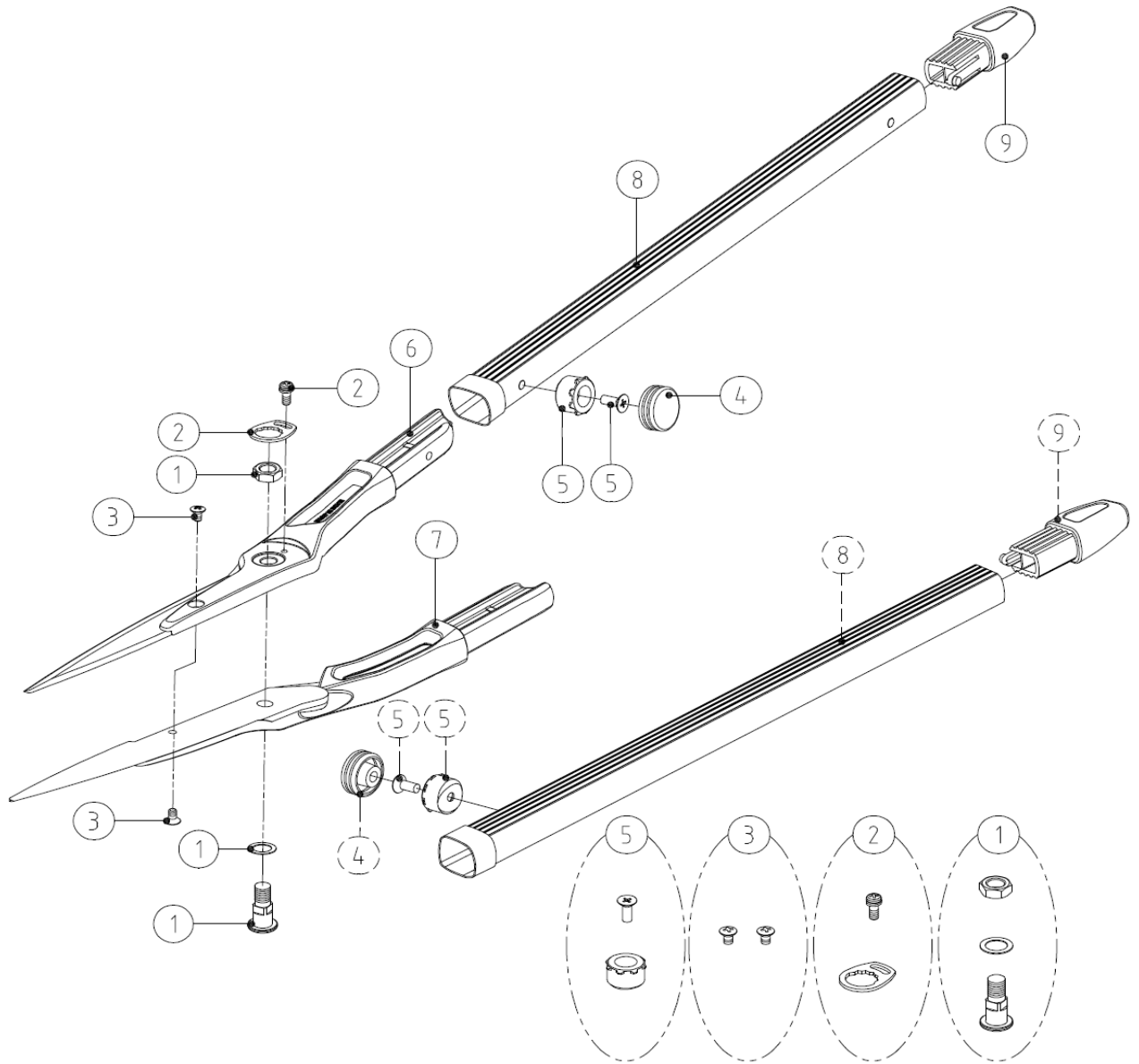
PARTS NO.	SPECIFICATION	PARTS NO.	SPECIFICATION
⑭ SP-211	LEVER PIPE 1 WITH END CAP FOR 185-1.2/ 185-1.5/185-1.8		
⑮ SP-212	LEVER PIPE 2 WITH END CAP FOR 185-1.2/ 185-1.5/185-1.8		
⑯ SP-214	STOPPER BAND ONLY, FOR 185-1.2/185-1.5/ 185-1.8		
⑰ SP-252	GRIP ONLY FOR 185-1.2/185-1.5/185-1.8		
⑱ SP-253	LEVER ONLY FOR 185-1.2/185-1.5/185-1.8		
⑲ SP-254	STRAP FOR 185 SERIES		
⑳ SP-318	BOLT FOR LEVER PIPE FOR 185 SERIES (1PC)		
㉑ SP-319	BOLT & NUT FOR GRIP OF 185 SERIES		
㉒ SP-411	RUBBER CUSHION FOR THE HANDLE OF 185 SERIES		
㉓ SP-413	BOLT & NUT FOR THE STOPPER BAND OF 185 SERIES		

KR-1000



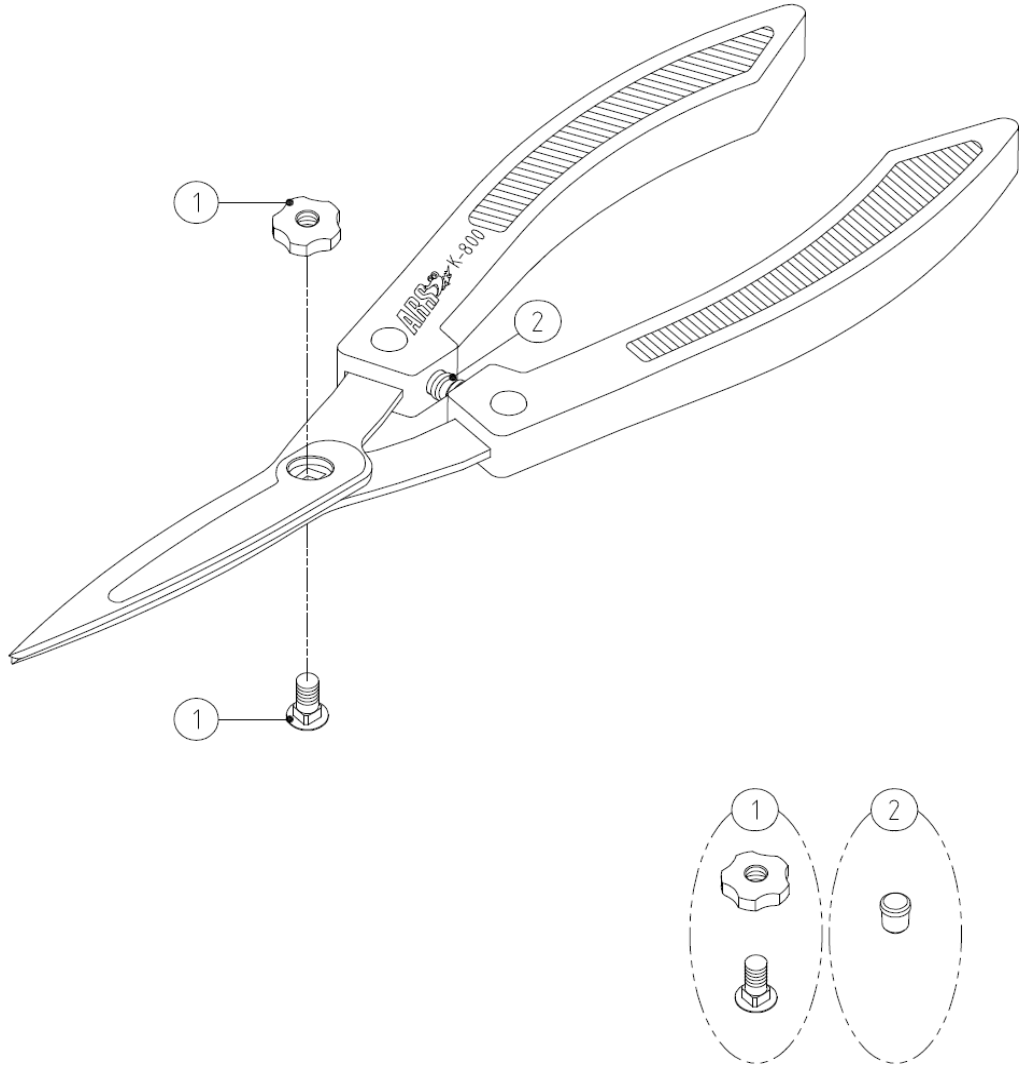
PARTS NO.	SPECIFICATION	PARTS NO.	SPECIFICATION
① SP-437	BOLT, NUT & WASHER FOR KR-1000/1000L		
② SP-442	SCREW RETAINER SET FOR KR-1000/1000L		
③ SP-438	BLADE FIXING SCREW FOR KR-1000/1000L (2PCS)		
④ SP-439	RUBBER CUSHION FOR KR-1000 (1PC)		
⑤ SP-440	RIGHT GRIP FOR KR-1000		
⑥ SP-441	LEFT GRIP FOR KR-1000		

KR-1000L



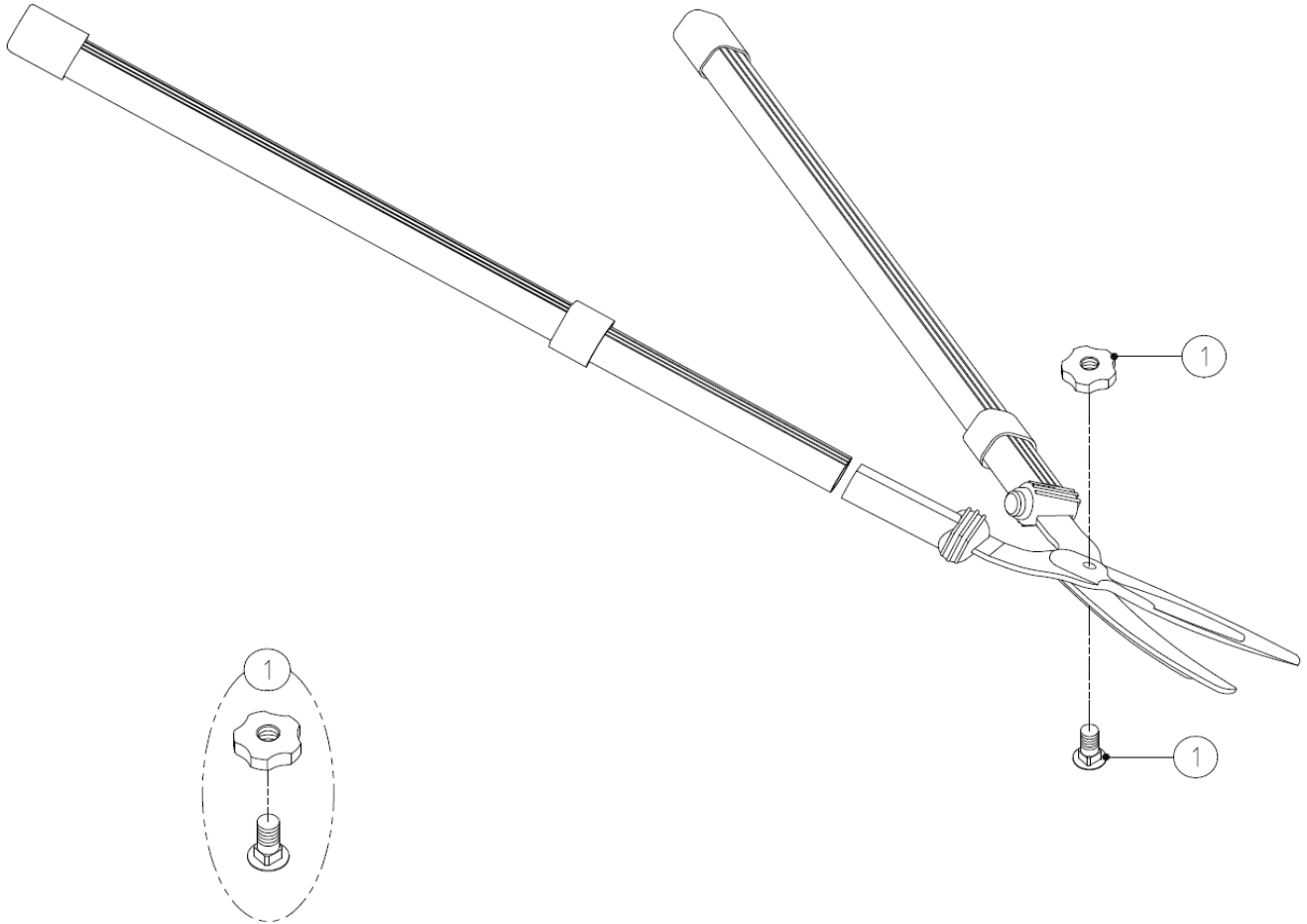
PARTS NO.	SPECIFICATION	PARTS NO.	SPECIFICATION
① SP-437	BOLT, NUT & WASHER FOR KR-1000/1000L		
② SP-442	SCREW RETAINER SET FOR KR-1000/1000L		
③ SP-438	BLADE FIXING SCREW FOR KR-1000/1000L (2PCS)		
④ SP-479	RUBBER CUSHION FOR KR-1000L (RED, 1PC)		
⑤ SP-55	BUMPER SOCKET WITH 1 SCREW FOR KR-1000L(1PC EACH)		
⑥ SP-480	BLADE HOLDING HANDLE FOR KR-1000L (TOP/RIGHT)		
⑦ SP-481	BLADE HOLDING HANDLE FOR KR-1000L (BOTTOM/LEFT)		
⑧ SP-95	PIPE ONLY, FOR KR-1000L (1PC)		
⑨ SP-56	PLASTIC PIECE AT THE END OF KR-1000L PIPE (1PC)		

K-800



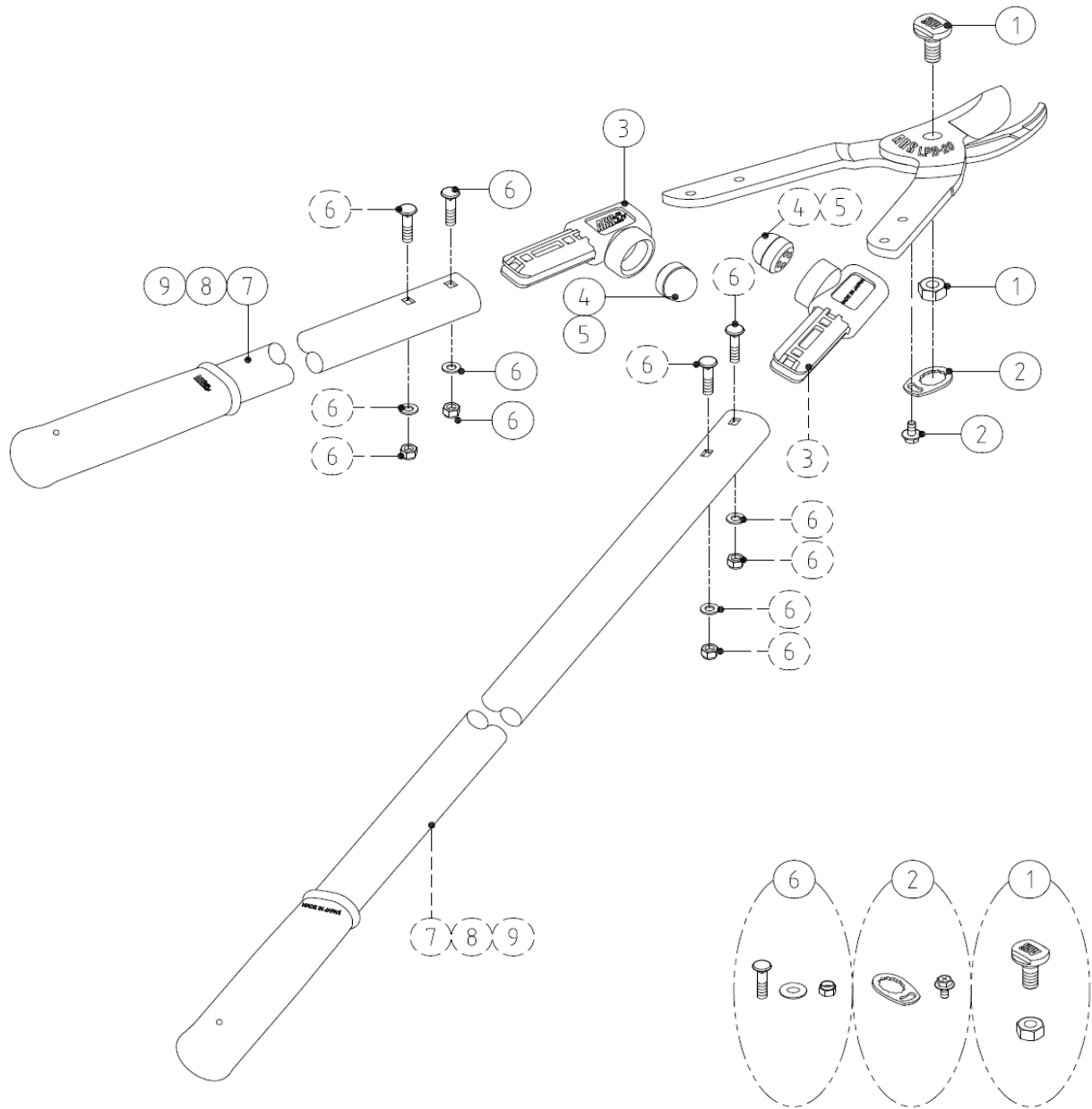
PARTS NO.	SPECIFICATION	PARTS NO.	SPECIFICATION
① SP-58	BOLT & NUT FOR K-800/K-900Z/K-950Z		
② SP-59	RUBBER CUSHION(BUMPER) FOR K-800 (1PC)		

K-900Z



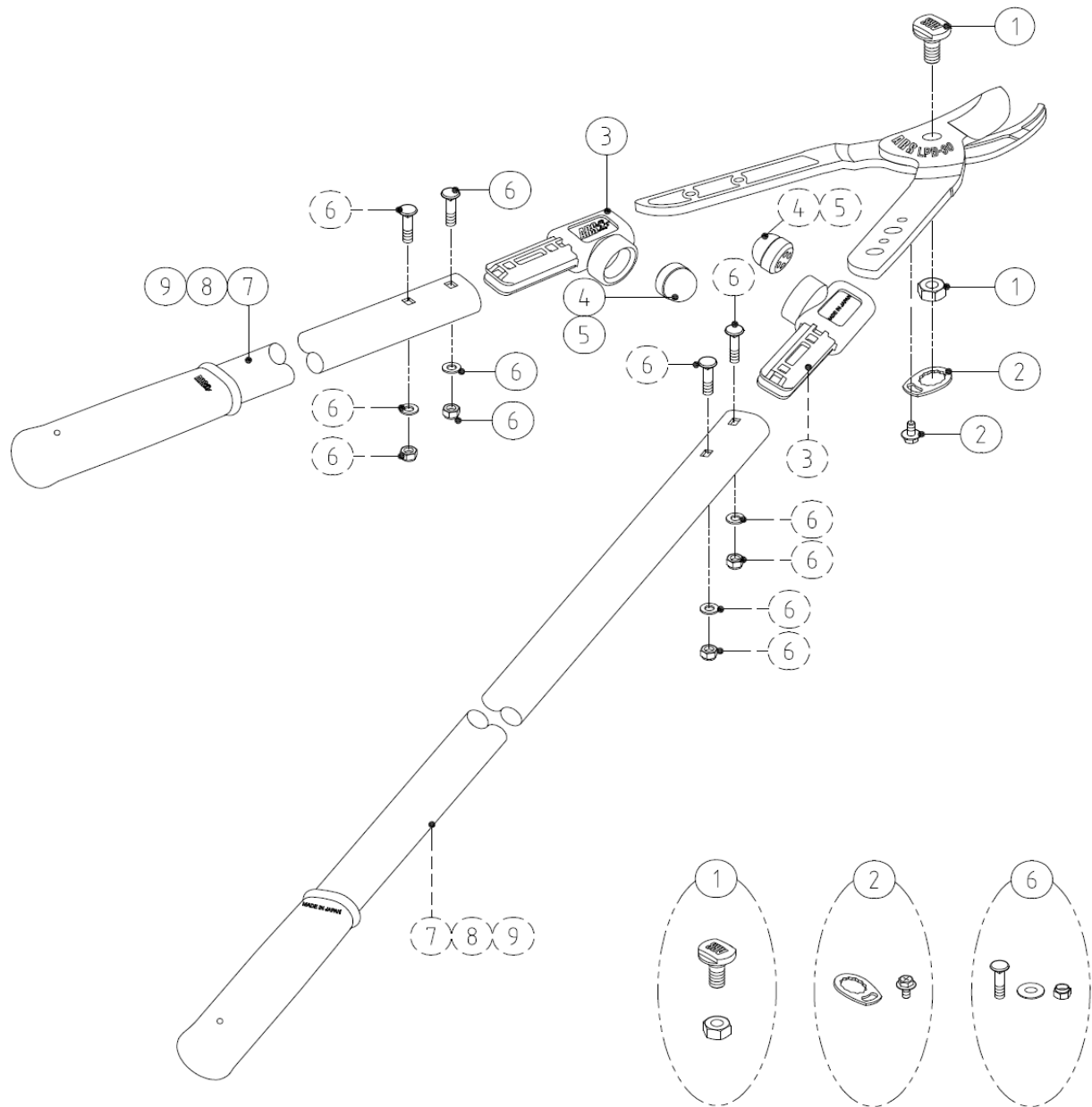
PARTS NO.	SPECIFICATION	PARTS NO.	SPECIFICATION
① SP-58	BOLT & NUT FOR K-800/K-900Z/K-950Z		

LPB-20S / LPB-20M / LPB-20L



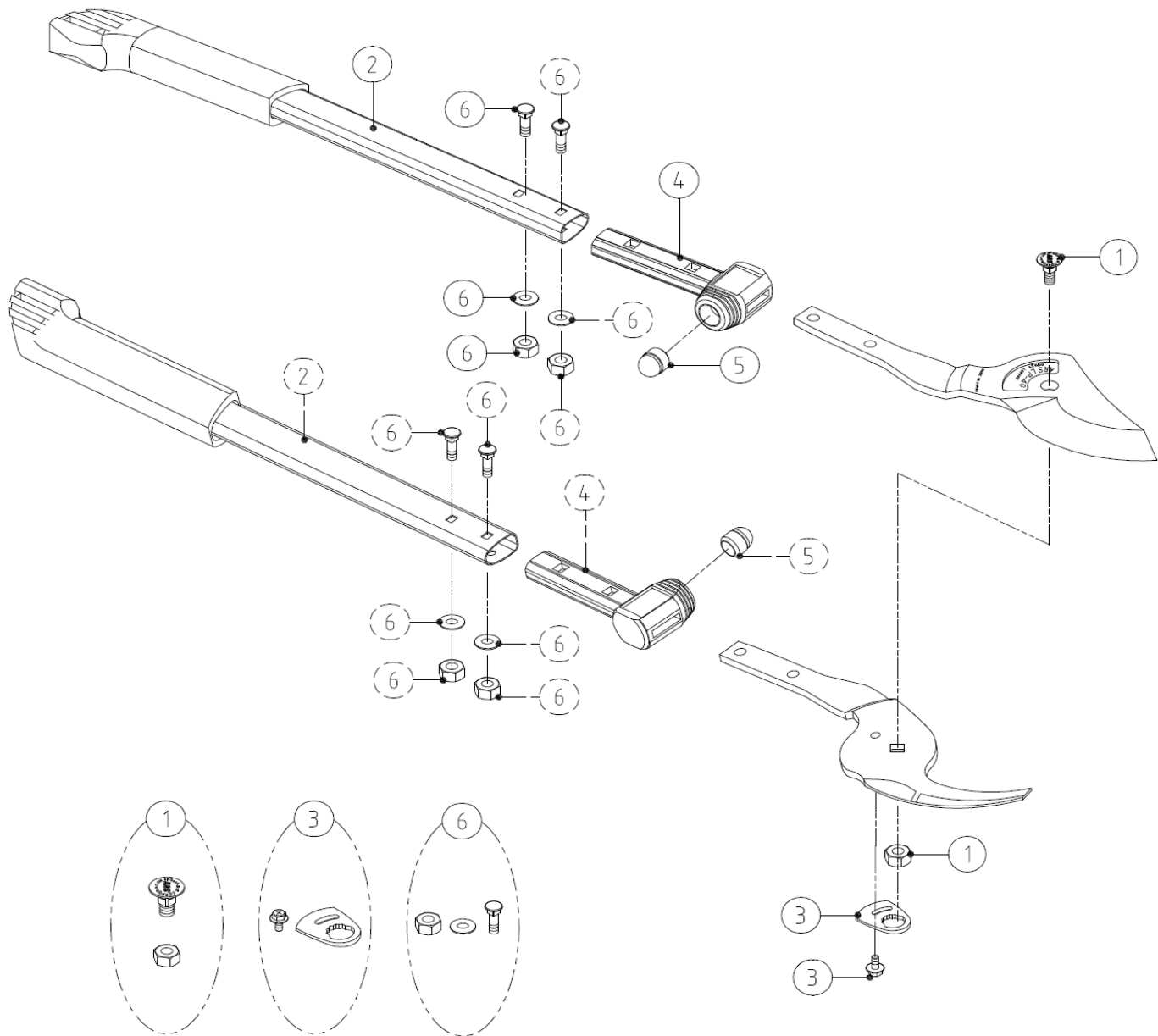
PARTS NO.	SPECIFICATION	PARTS NO.	SPECIFICATION
①	SP-288 CENTRE BOLT & NUT FOR LPB SERIES		
②	SP-426 SCREW RETAINER SET FOR LPB SERIES & LPA-30L		
③	SP-419 BUMPER SOCKET FOR LPB SERIES (1PC)		
④	SP-420 SHOCK ABSORBER FOR LPB-20S/30S (1PC)		
⑤	SP-421 SHOCK ABSORBER FOR LPB-20M/L AND LPB-30M/L (1PC)		
⑥	SP-387 BLADE HOLDING BOLT,NUT & WASHER FOR LPA-30L AND LPB SERIES(/ 1PC)		
⑦	SP-422 PIPE WITH GRIP FOR LPB-20S/30S (1PC)		
⑧	SP-423 PIPE WITH GRIP FOR LPB-20M/30M (1PC)		
⑨	SP-389 PIPE WITH GRIP FOR LPA-30L & LPB-20L/30L (1PC)		

LPB-30S / LPB-30M / LPB-30L



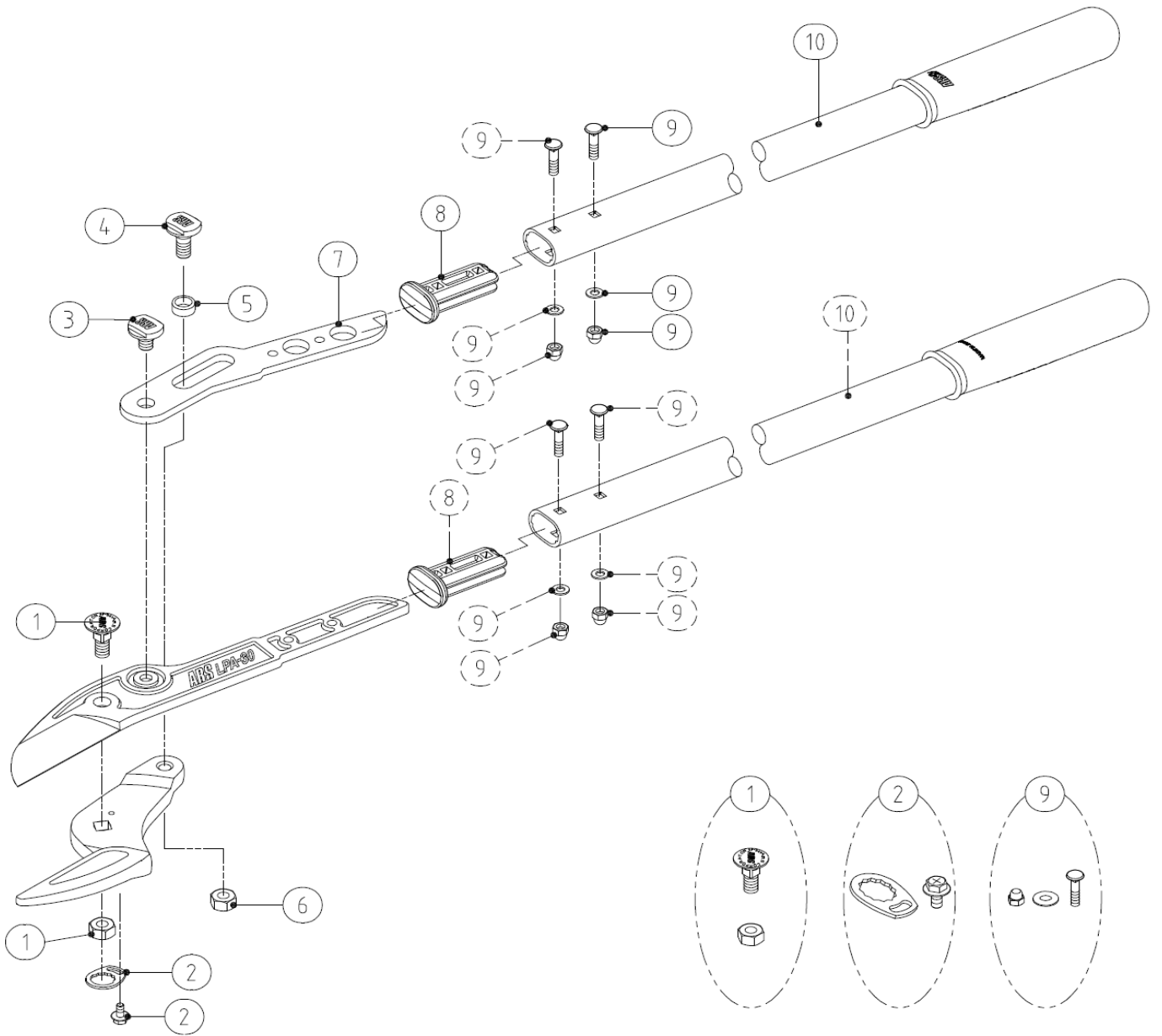
PARTS NO.	SPECIFICATION	PARTS NO.	SPECIFICATION
① SP-288	CENTRE BOLT & NUT FOR LPB SERIES		
② SP-426	SCREW RETAINER SET FOR LPB SERIES & LPA-30L		
③ SP-419	BUMPER SOCKET FOR LPB SERIES (1 PC)		
④ SP-420	SHOCK ABSORBER FOR LPB-20S/30S (1 PC)		
⑤ SP-421	SHOCK ABSORBER FOR LPB-20M/L AND LPB-30M/L (1 PC)		
⑥ SP-387	BLADE HOLDING BOLT,NUT & WASHER FOR LPA-30L AND LPB SERIES(/ 1 PC)		
⑦ SP-422	PIPE WITH GRIP FOR LPB-20S/30S (1 PC)		
⑧ SP-423	PIPE WITH GRIP FOR LPB-20M/30M (1 PC)		
⑨ SP-389	PIPE WITH GRIP FOR LPA-30L & LPB-20L/30L (1 PC)		

LP-40



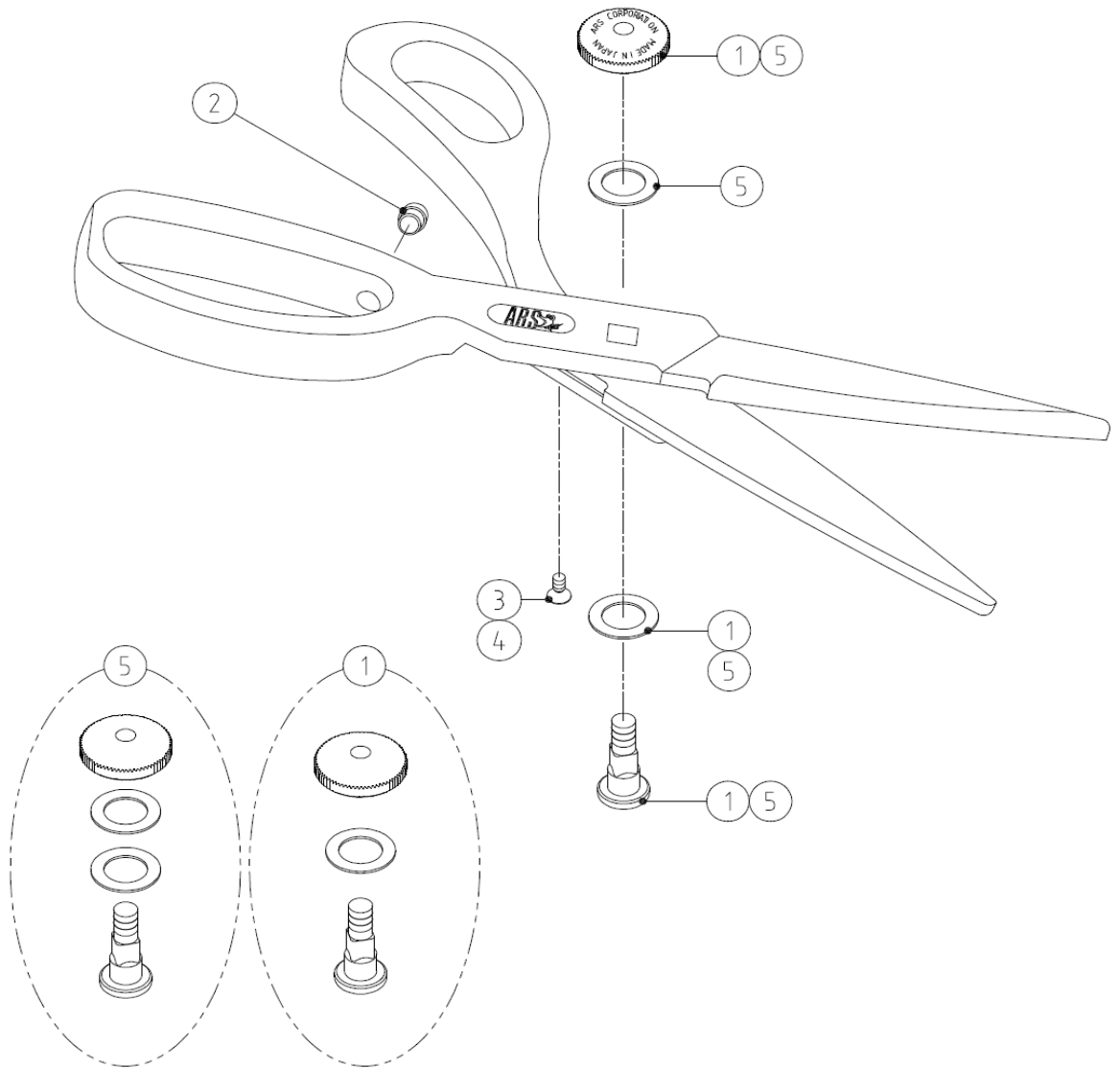
PARTS NO.	SPECIFICATION	PARTS NO.	SPECIFICATION
①	SP-278	CENTER BOLT & NUT FOR LP-40 & LPA-30L	
②	SP-282	PIPE FOR LP-40 WITH GRIP (1PC)	
③	SP-245	SCREW RETAINER SET FOR LP-40	
④	SP-280	BUMPER SOCKET FOR LP-40 (1PC)	
⑤	SP-250	SHOCK ABSORBER FOR LP-40 (1PC)	
⑥	SP-281	BLADE HOLDING BOLT,WASHER & NUT FOR LP-40 (1PC EACH)	

LPA-30L



PARTS NO.	SPECIFICATION	PARTS NO.	SPECIFICATION
①	SP-278 CENTER BOLT & NUT FOR LP-40 & LPA-30L		
②	SP-426 SCREW RETAINER SET FOR LPB SERIES & LPA-30L		
③	SP-385 FULCRUM BOLT OF LINK FOR LPA-30L		
④	SP-382 FIXING BOLT FOR LINK & COUNTER BLADE OF LPA-30L		
⑤	SP-386 LINK SPACER FOR LPA-30L		
⑥	SP-383 FIXING NUT FOR LINK & COUNTER BLADE OF LPA-30L		
⑦	SP-384 LINK FOR LPA-30L		
⑧	SP-388 BLADE HOLDING SOCKET FOR LPA-30L(1PC)		
⑨	SP-387 BLADE HOLDING BOLT,NUT & WASHER FOR LPA-30L AND LPB SERIES(/ 1PC)		
⑩	SP-389 PIPE WITH GRIP FOR LPA-30L & LPB-20L/30L (1 PC)		

526-A / 526-H



PARTS NO.	SPECIFICATION	PARTS NO.	SPECIFICATION
①	SP-64	BOLT,DIAL NUT AND WASHER FOR 526-H	
②	SP-165	RUBBER CUSHION FOR 526-A/H	
③	SP-297	SCREW FOR 526-A (1PCS)	
④	SP-298	SCREW FOR 526-H (1PCS)	
⑤	SP-424	BOLT,DIAL NUT AND 2 WASHERS FOR 526-A	